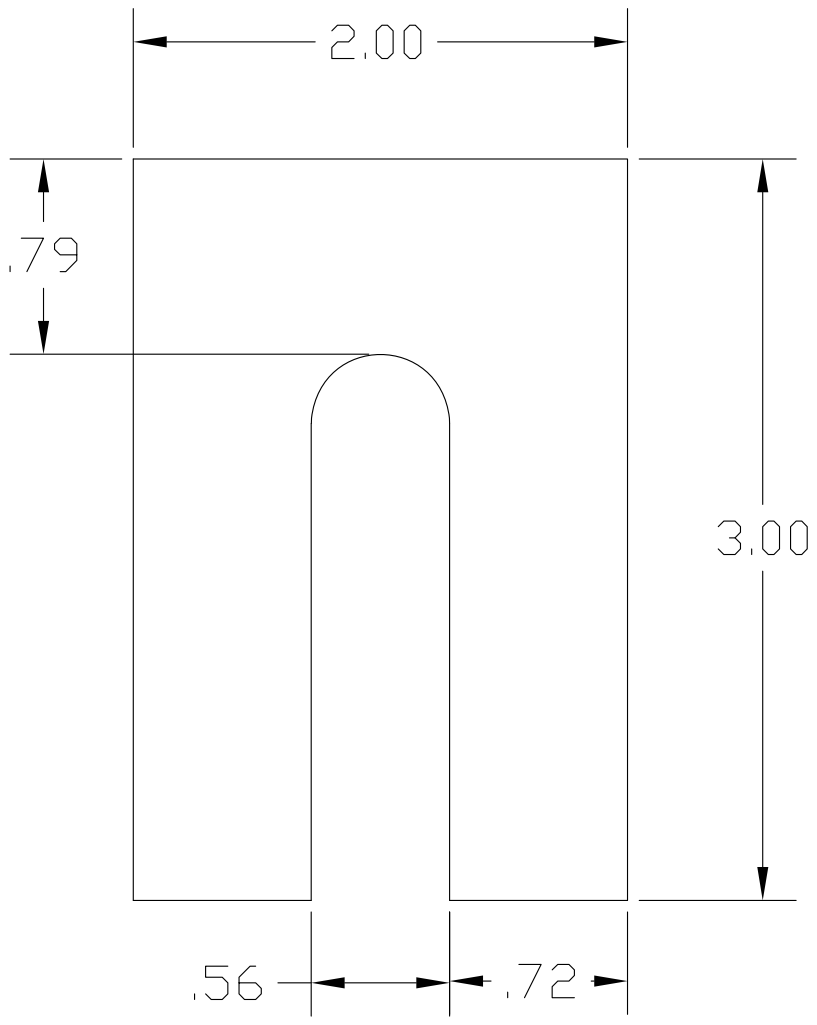



REV  
SH  
DWG NO  
GR2HS06

REVISIONS

REV	DESCRIPTION	DATE	APPROVED
-----	-------------	------	----------



PART NAME		SHIMS AL .063 HORSE SHOE (2X3)		
MATERIAL		SHEET AL .063 3003-H14 ASTM B209		
DATE	5/12/09		<b>THE WAGNER COMPANIES</b> R & B WAGNER, INC. AND J. G. BRAUN CO.	
DRAWN BY	DGP			
FINISH	MILL			
SIZE	A	WEIGHT	PART NUMBER	GR2HS06
			REV	