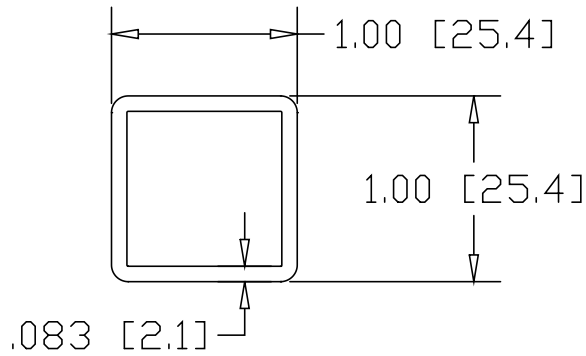
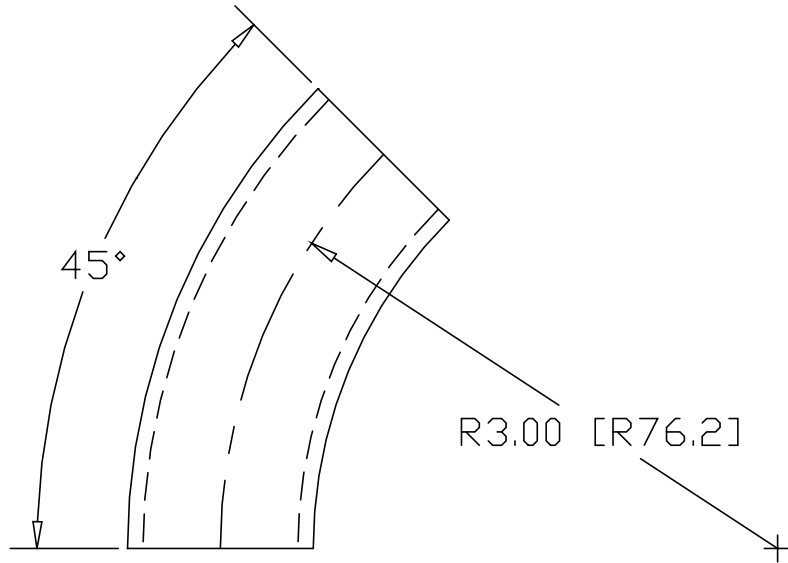



REV  
SH  
DWG NO 6302

REVISIONS			
REV	DESCRIPTION	DATE	APPROVED



INCHES [MILLIMETERS]

PART NAME		1" SQUARE STEEL 45° X 3"CLR ELL					
MATERIAL		1.00" X .083W SQUARE STEEL TUBE					
DATE	10/3/00	 <b>THE WAGNER COMPANIES</b> R & B WAGNER, INC. AND J. G. BRAUN CO.					
DRAWN BY	RJF						
FINISH	MILL						
SIZE	A	WEIGHT	.21 LBS	PART NUMBER	6302	REV	