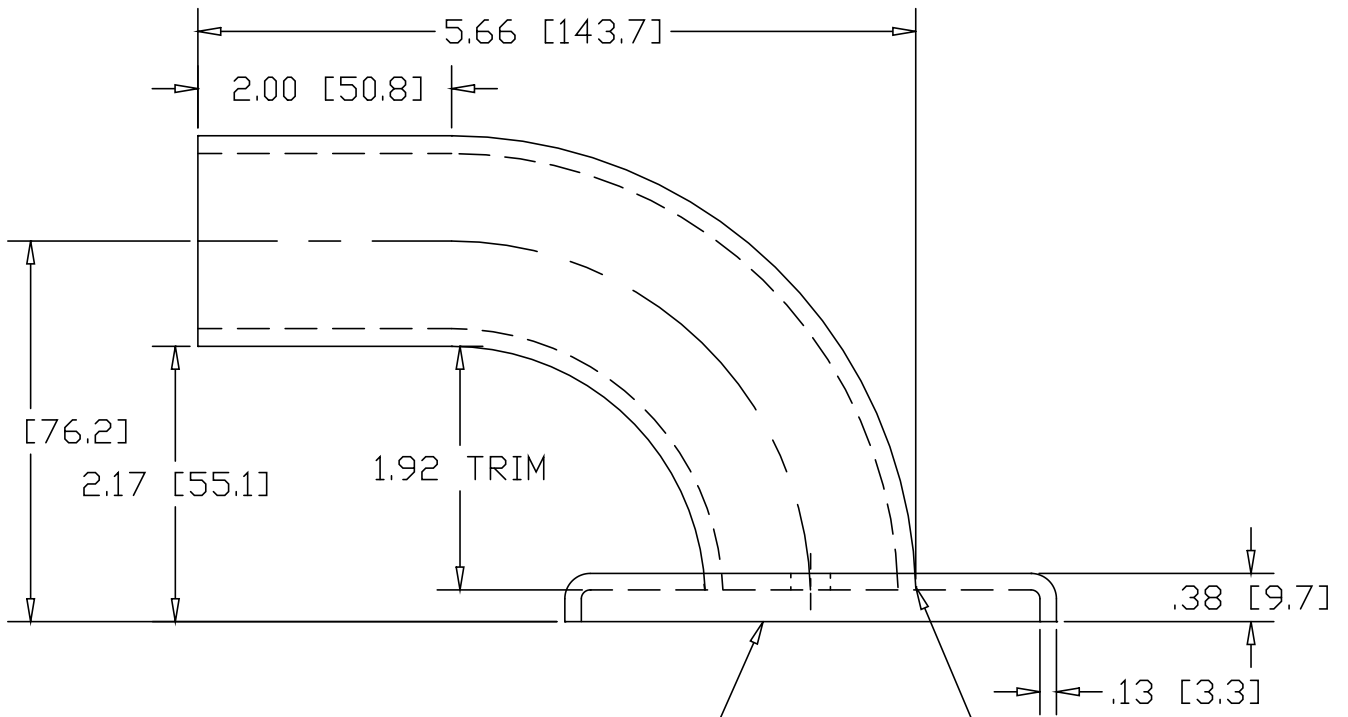
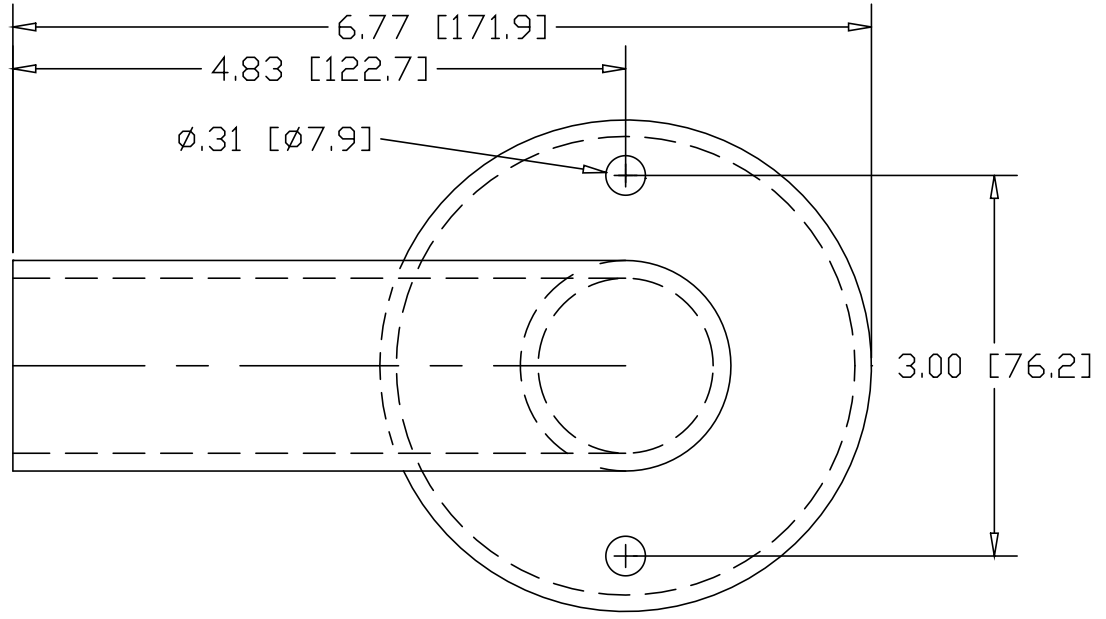


REV
SH
1112-2
DWG NO

REVISIONS			
REV	DESCRIPTION	DATE	APPROVED



HEAVY FLUSH BASE
PIPE FLANGE #2567

INCHES [MILLIMETERS]

PART NAME 1-1/4" PIPE SIZE X 3.00"CL WALL RETURN W/2 HOLES			
MATERIAL 6063 ALUMINUM			
DATE 12/27/02		THE WAGNER COMPANIES R & B WAGNER, INC. AND J. G. BRAUN CO.	
DRAWN BY JAH			
FINISH MILL			
SIZE A	WEIGHT	PART NUMBER 1112-2	REV