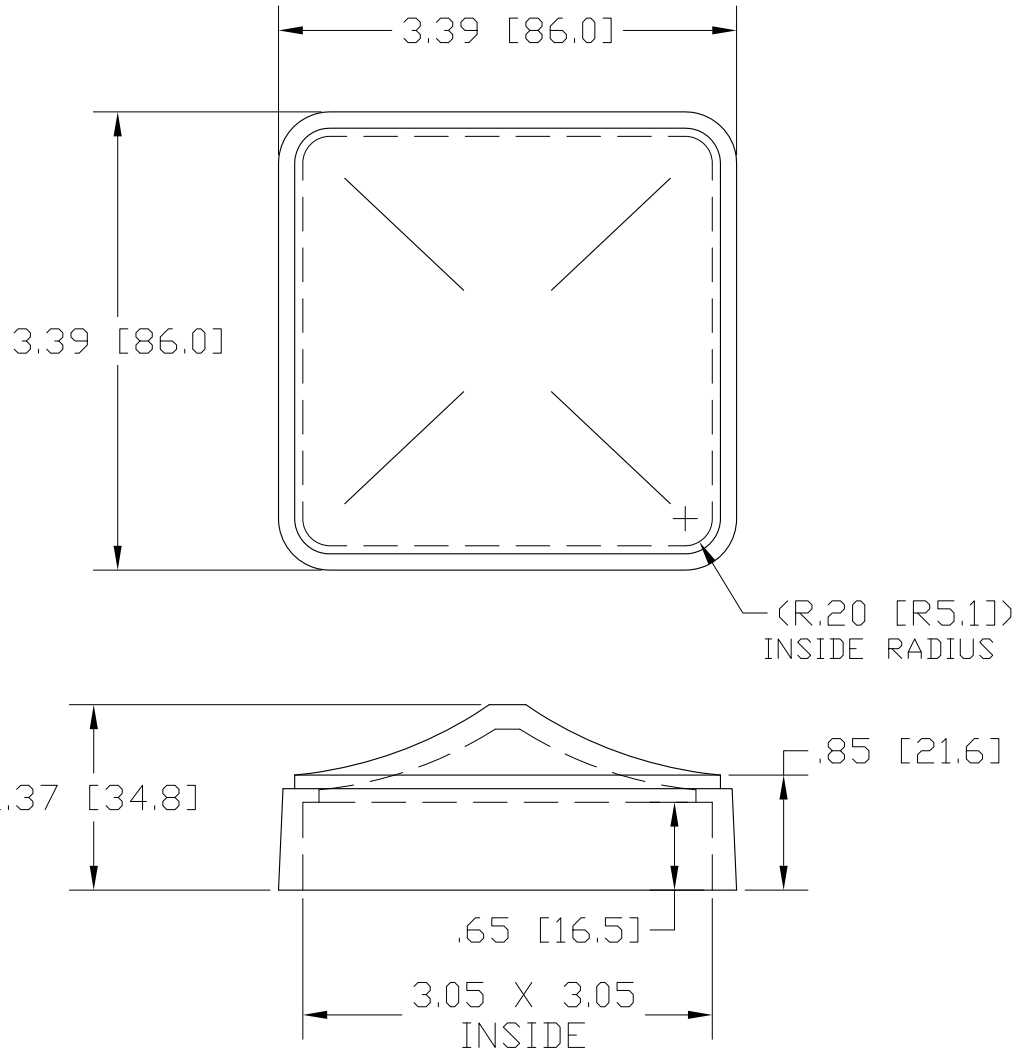



REV  
SH  
PC13030  
DWG NO

REVISIONS			
REV	DESCRIPTION	DATE	APPROVED



INCHES [MILLIMETERS]

PART NAME		3 X 3 SQUARE POST CAP					
MATERIAL		CAST IRON					
DATE	07/11/13	 <b>THE WAGNER COMPANIES</b> R & B WAGNER, INC. AND J. G. BRAUN CO.					
DRAWN BY	RJF						
FINISH	AS-CAST						
SIZE	A	WEIGHT	.76 LBS	PART NUMBER	PC13030	REV	