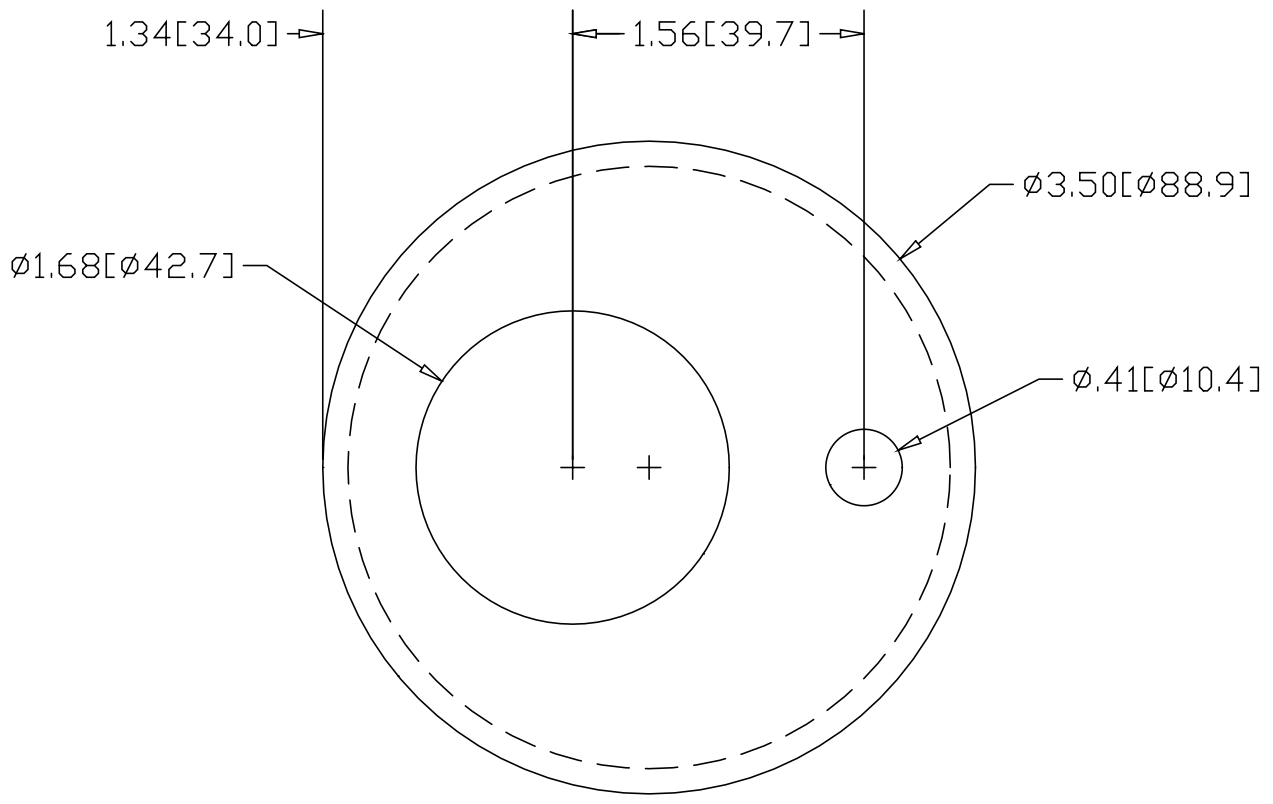



REV
SH
DWG NO 2526R

REVISIONS			
REV	DESCRIPTION	DATE	APPROVED



INCHES [MILLIMETERS]

ALTERNATE MATERIAL	PART NUMBER
.125 (3003) ALUMINUM ASTM B209	2566R
10 GA. (304) STAINLESS STEEL ASTM A240	2606R

PART NAME		1-1/4" PIPE SIZE HFB OFFSET FLANGE					
MATERIAL		10 GA. HRP&D STEEL ASTM A569					
DATE	4/5/99	 R & B WAGNER, INC.					
DRAWN BY	RJF						
FINISH	MILL						
SIZE	A	WEIGHT	.41 LBS	PART NUMBER	2526R	REV	