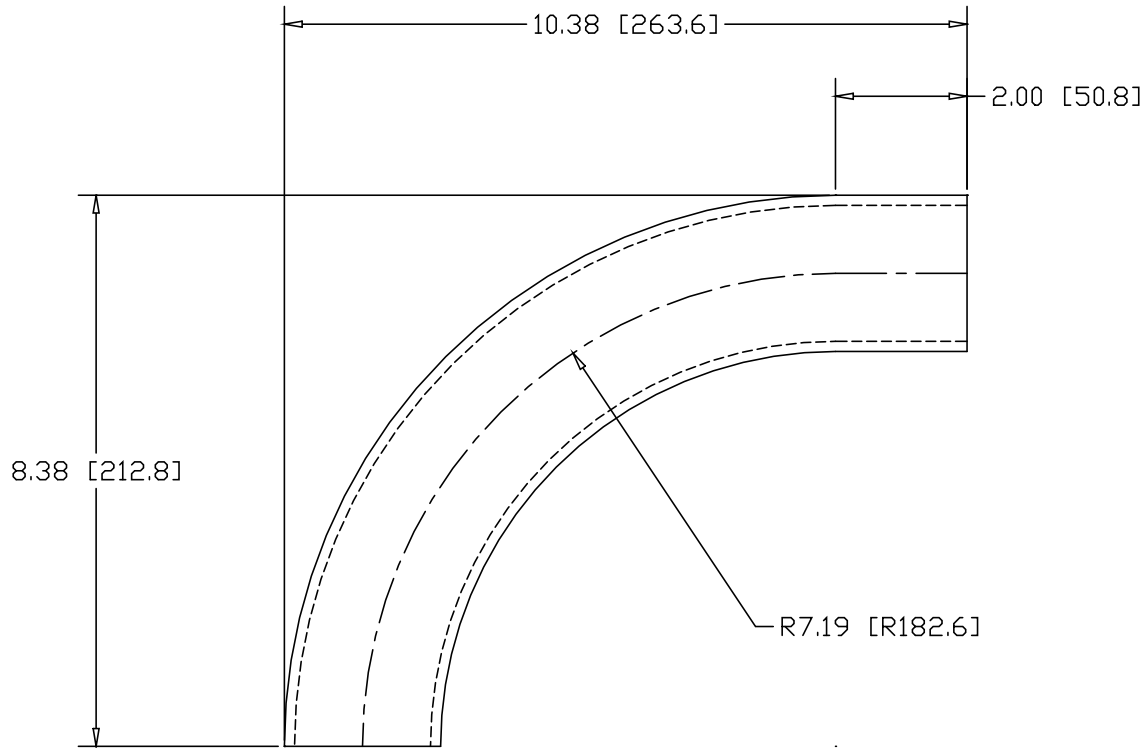



REV
SH
7588
DWG NO

REVISIONS			
REV	DESCRIPTION	DATE	APPROVED



INCHES [MILLIMETERS]

ALTERNATE MATERIAL	PART NUMBER
2" SCH 40 (6063) ALUMINUM PIPE	7608
2" SCH 40 (304) STAINLESS STEEL PIPE	7628

PART NAME 2" PIPE SIZE 90° ELL X 6" I.R. W/ (1) 2" TANGENT			
MATERIAL 2" SCH 40 A53 STEEL PIPE			
DATE 7/02/01		R & B WAGNER, INC.	
DRAWN BY JAH		PART NUMBER	7588
FINISH MILL		SIZE A	WEIGHT 4.05 LBS