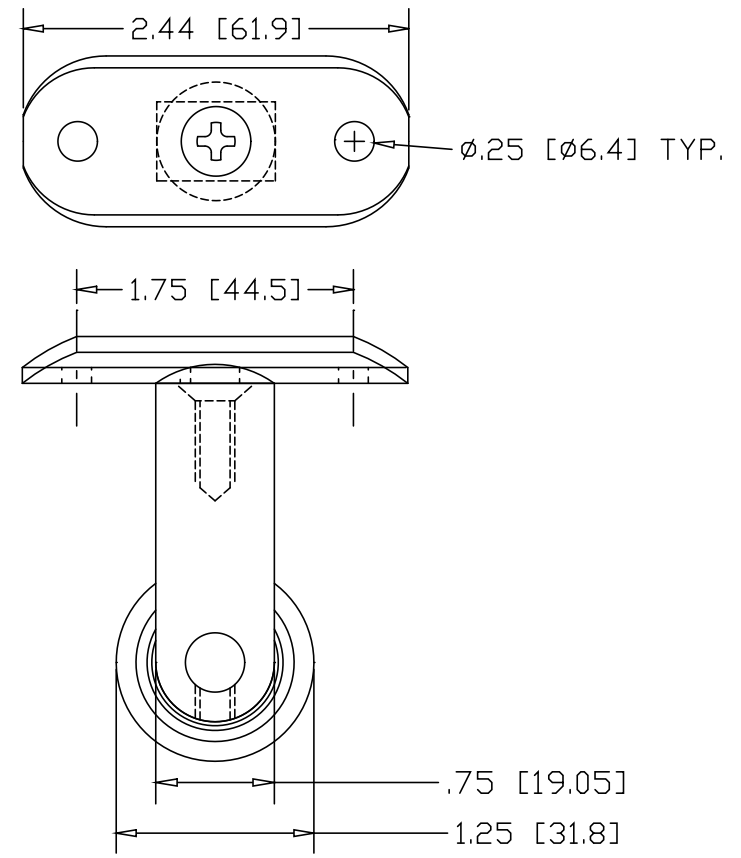
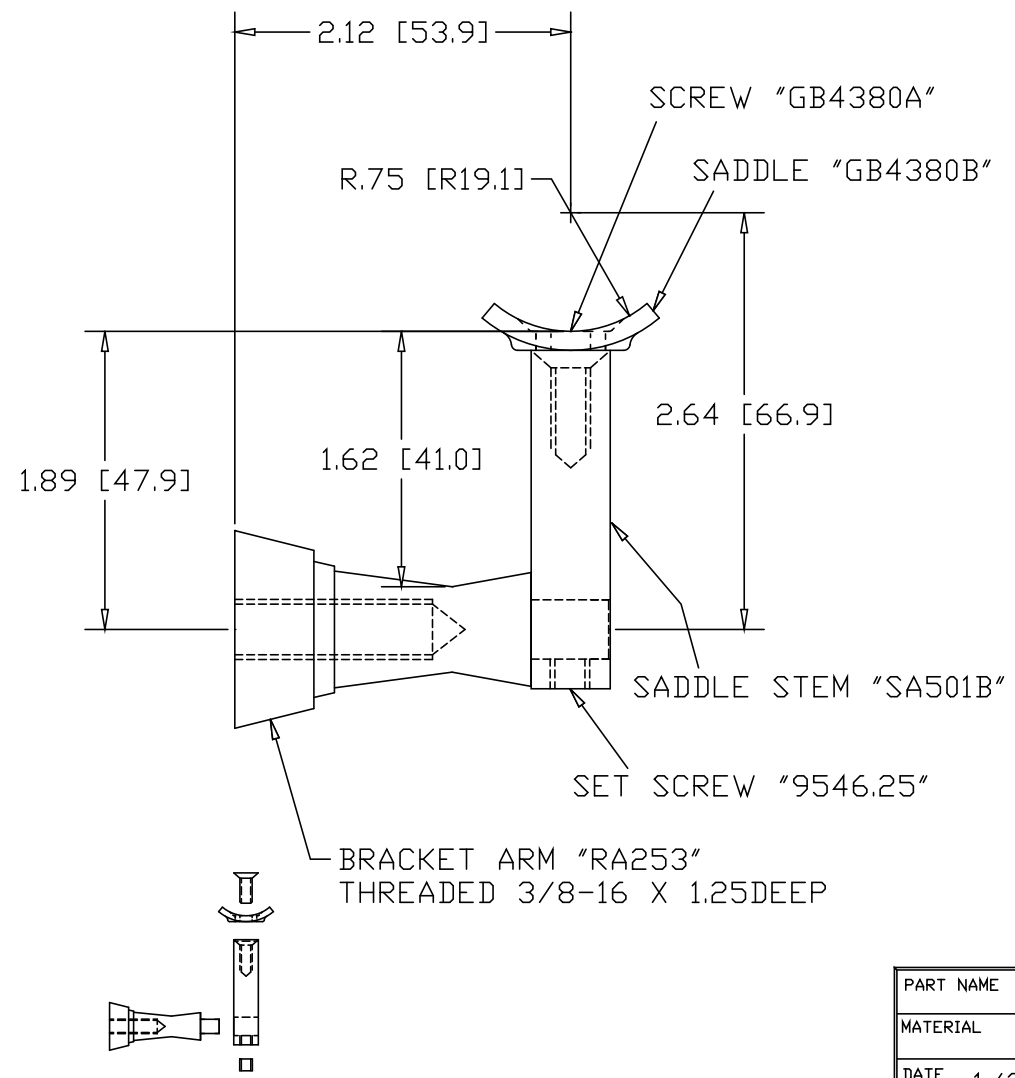



REVISIONS			
REV	DESCRIPTION	DATE	APPROVED
1	REMOVED STEP IN RS253	09/23/10	PWH



INCHES [MILLIMETERS]

EXPLODED VIEW

PART NAME		MACHINED BRACKET ASSEMBLY	
MATERIAL		6063 ALUMINUM	
DATE	1/24/07		<b>THE WAGNER COMPANIES</b> R & B WAGNER, INC. AND J. G. BRAUN CO.
DRAWN BY	RDC		
FINISH	#4 SATIN	SIZE	A
		WEIGHT	
		PART NUMBER	MB2252P
		REV	1