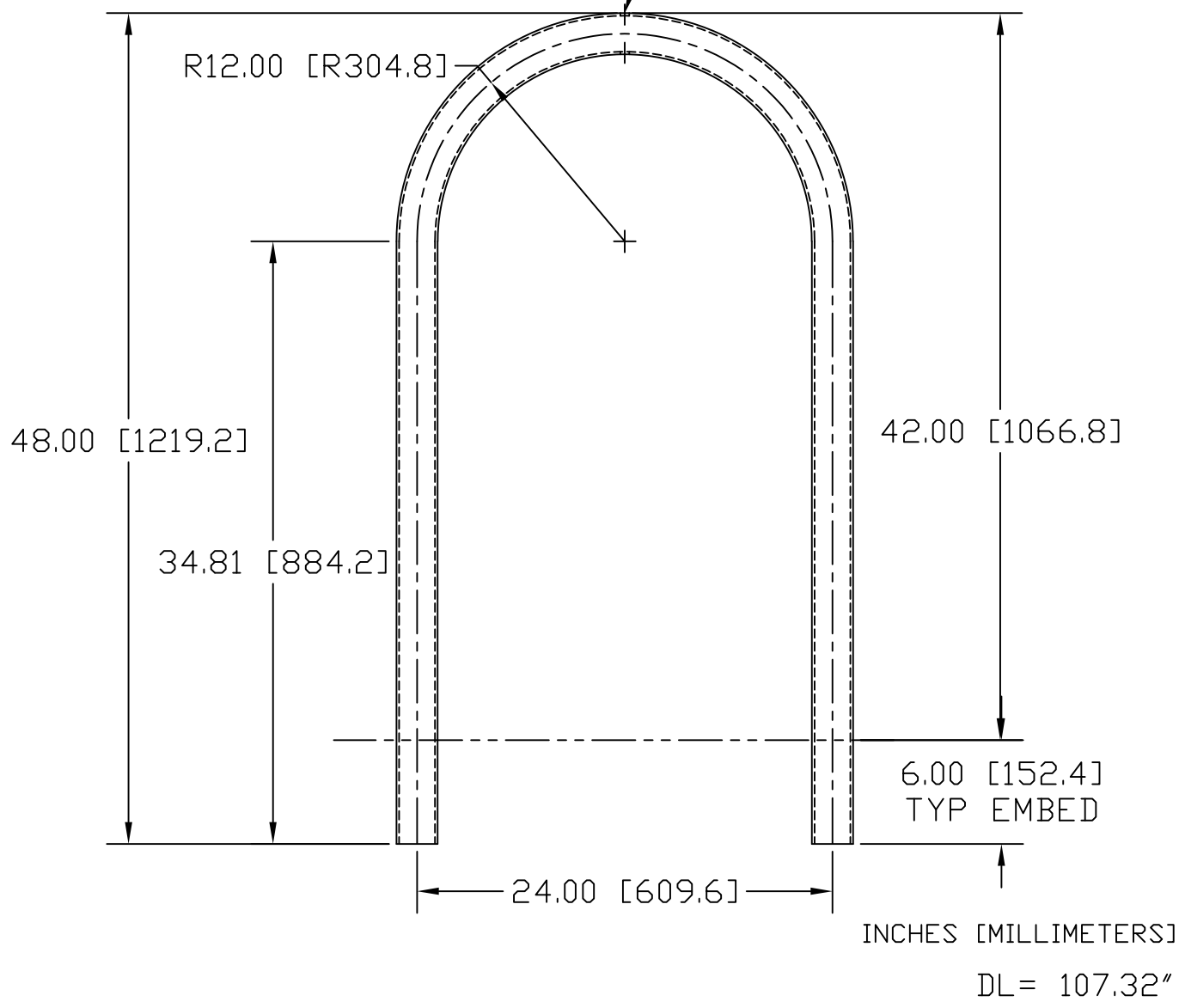



REV D
SH
SR1G
DWG NO

REVISIONS			
REV	DESCRIPTION	DATE	APPROVED
A	HT WAS 36.00, EMBED WAS 10.00	12/18/06	RJF
B	REDRAWN, ADDED VENT HOLE	07/23/12	RJF
C	VENT HOLE WAS TOP WALL ONLY	02/25/13	RJF
D	.50 VENT HOLES WERE .52	05/26/17	RJF

Ø.50 VENT HOLE THRU BOTH WALLS FOR GALV. INSERT DRIVE-PLUG INTO TOP HOLE ONLY AFTER GALVANIZING.



PART NAME		2" SCH 40 SINGLE LOOP BIKE RACK		
MATERIAL		2" SCH 40 (2.38" O.D.) A53 STEEL PIPE		
DATE	12/23/97	 THE WAGNER COMPANIES R & B WAGNER, INC. AND J. G. BRAUN CO.		
DRAWN BY	RJF			
FINISH	HOT DIP GALVANIZED	SIZE	WEIGHT	PART NUMBER
		A	32.6 LBS	SR1G
				REV D