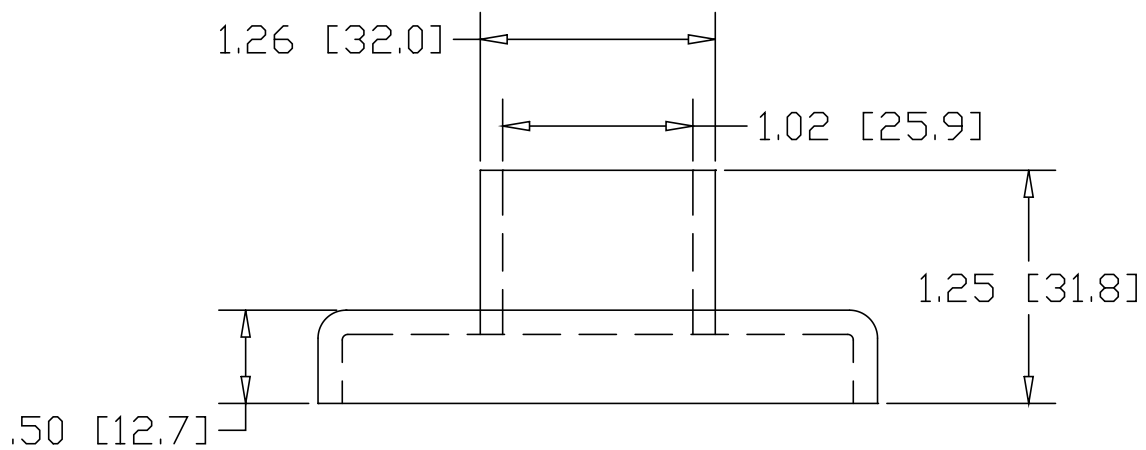
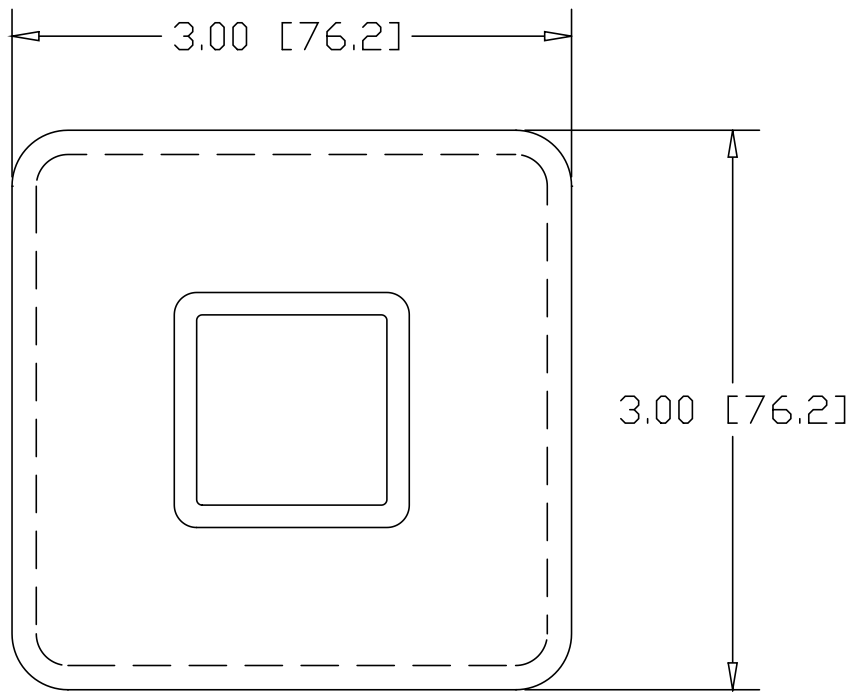



REV
SH
8901
DWG NO

REVISIONS			
REV	DESCRIPTION	DATE	APPROVED



INCHES [MILLIMETERS]

ALTERNATE MATERIAL	PART NUMBER
.125 (3003) ALUMINUM ASTM B209	8925

PART NAME		1" SQ. TUBE SOCKET FLANGE					
MATERIAL		10 GA. HRP&D STEEL ASTM A569					
DATE	1/15/93	 THE WAGNER COMPANIES R & B WAGNER, INC. AND J. G. BRAUN CO.					
DRAWN BY	RJF						
FINISH	MILL						
SIZE	A	WEIGHT	.51 LBS	PART NUMBER	8901	REV	