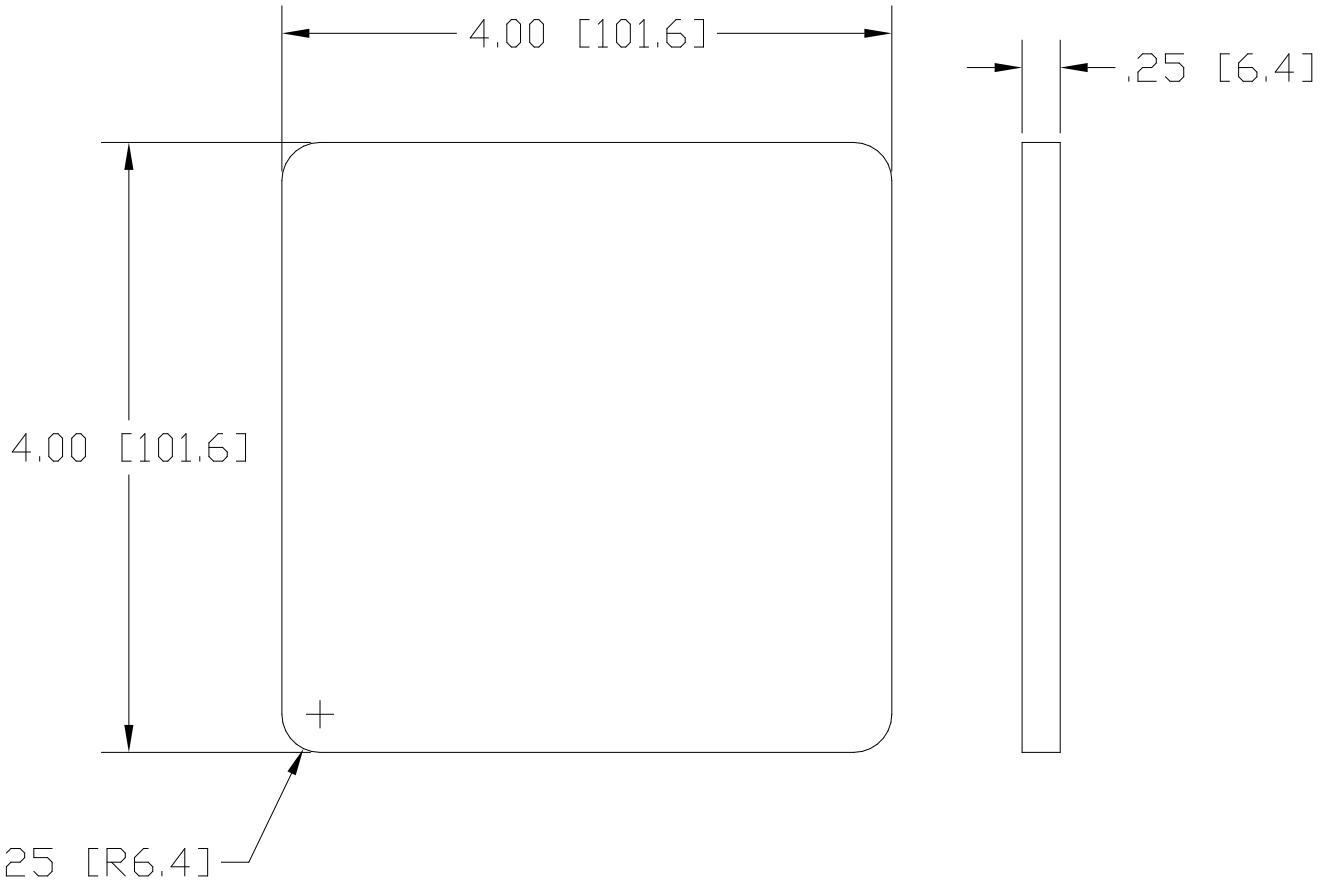



REV  
SH  
DWG NO D480

REVISIONS			
REV	DESCRIPTION	DATE	APPROVED



INCHES [MILLIMETERS]

ALTERNATE MATERIAL	PART NUMBER
.250 (3003) ALUMINUM ASTM B209	D481
.18 (304) STAINLESS STEEL ASTM A240	D482
.250 (260) BRASS ASTM B19,B36	D483

PART NAME 4" SQUARE PLATE WITH RADIUS CORNERS				
MATERIAL .250 HRP&O STEEL ASTM A569				
DATE 11/20/98	 <b>THE WAGNER COMPANIES</b> R & B WAGNER, INC. AND J. G. BRAUN CO.			
DRAWN BY RJF				
FINISH MILL				
SIZE A	WEIGHT 1.13 LBS	PART NUMBER D480	REV	