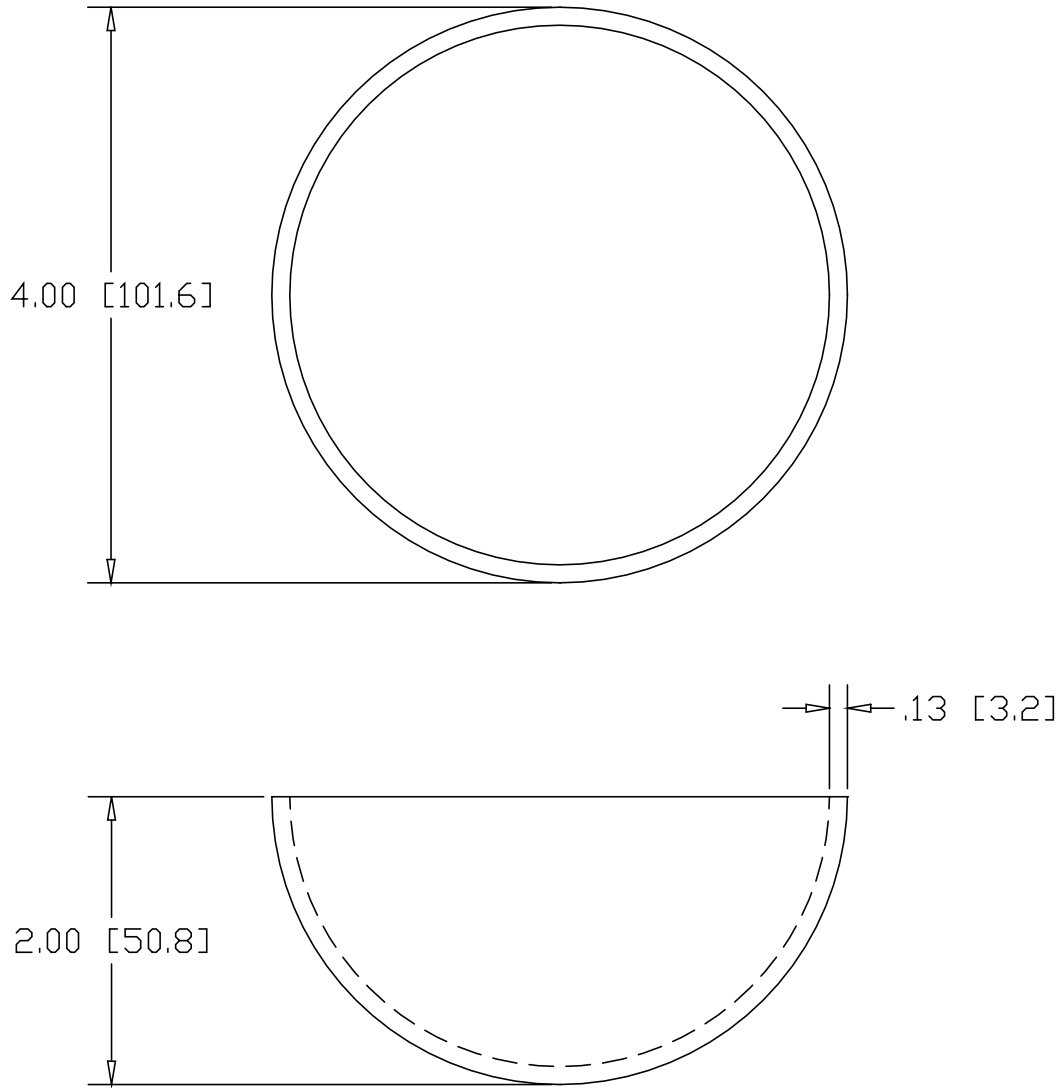



REV
SH
DWG NO B4150

REVISIONS			
REV	DESCRIPTION	DATE	APPROVED



INCHES [MILLIMETERS]

ALTERNATE MATERIAL	PART NUMBER
.125 (3003) ALUMINUM SHEET ASTM B209	B4152
11 GA. (.1200) 304 STAINLESS STEEL A240	B4154
.125 (260) BRASS	B4156
.125 (655) SILICON BRONZE	BSB4150

PART NAME		4.00" HEMISPHERE					
MATERIAL		11 GA. (.1196) HRP&D STEEL SHEET ASTM A569					
DATE	1/4/00	 THE WAGNER COMPANIES R & B WAGNER, INC. AND J. G. BRAUN CO.					
DRAWN BY	RJF						
FINISH	MILL						
SIZE	A	WEIGHT	.724	PART NUMBER	B4150	REV	