

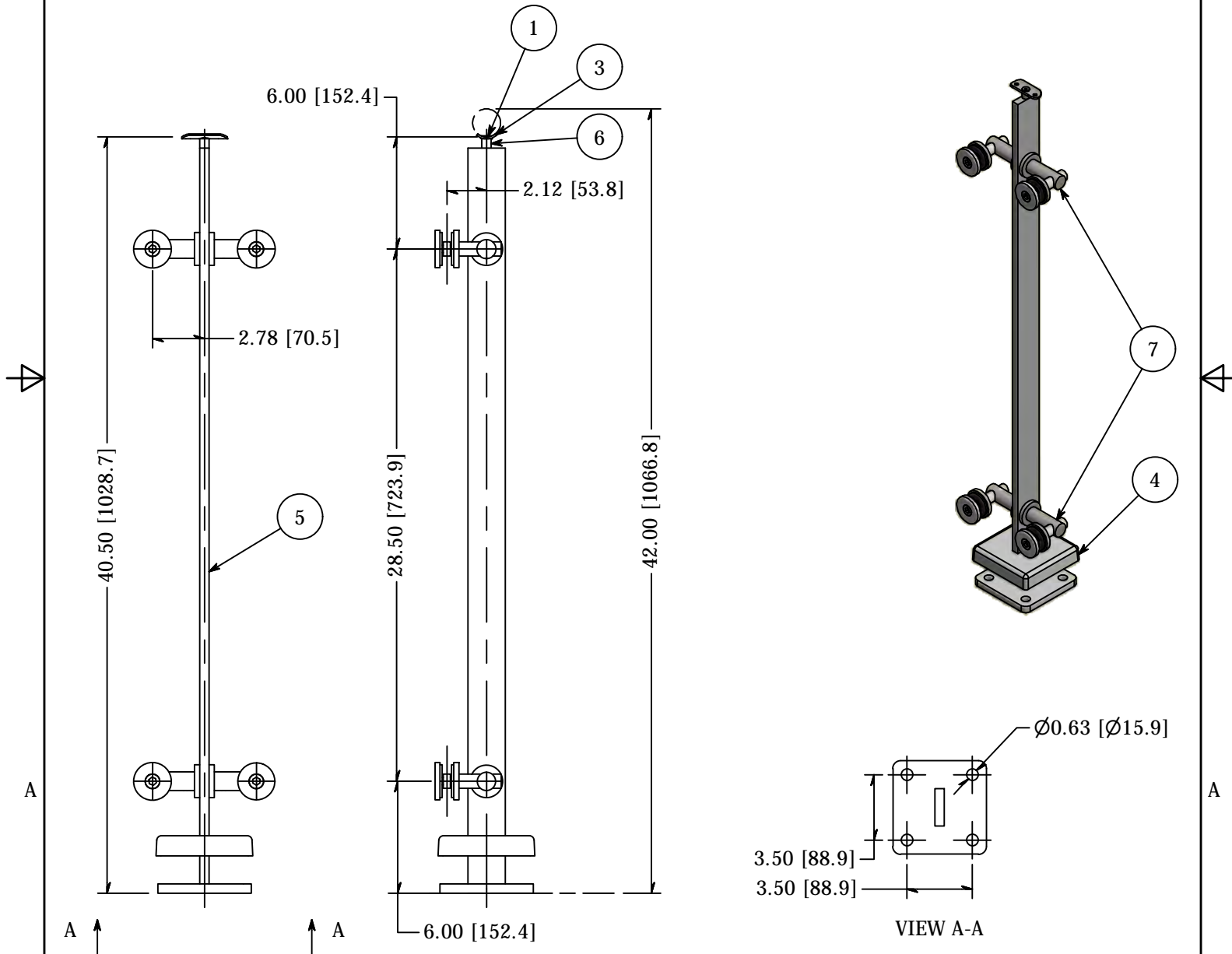


PARTS LIST

ITEM	QTY	PART NUMBER	DESCRIPTION
1	1	FAH3N2520-0100	SCREW ST 1/4-20 X 1.00, FLAT ALLEN HEAD, STAINLESS STEEL
2	2	FTS3NM08C-0075	Stud, Stainless Steel, M8-1.25 x 75mm, Fully threaded Stud, A4-70
3	1	GB4382B.316	Bracket Saddle, SS, W/Countersunk Center Hole #4 Finish, TYPE 316
4	1	LG325SMC	Flange, Stainless Steel, Snap-On Cover For 2.00 Inch x 0.50 Inch, Satin Brushed Finish, Type 316
5	1	LG35242MSMA	Intermediate Post, Stainless Steel, 2.00 Inch x 0.50 Inch, 42 High, Brushed Satin Finish, Grade 316, Surface Mount, Post Assm
6	1	LG3SSP	Saddle Post stub, Stainless Steel, 1.5 x 0.5 O.D. x 0.12 Wall
7	4	LXTB51-1	Point Fitting, Stainless Steel, 51 mm Head, 1 Point, Tubular Body, Brushed Satin Finish, Grade 316, 0.50 Inch Glass

B

B



<p>TOLERANCE</p> <p>UNLESS OTHERWISE NOTED, TOLERANCES TO CONFORM TO ES.03.011</p>	CUT LENGTH:	FINISH:	DESCRIPTION: Intermediate Post, Stainless Steel, 2.00 Inch x 0.50 Inch, 42 High, Brushed Satin Finish, Grade 316, Surface Mount, 2-Point	
	DEVELOPED LENGTH:	WEIGHT:	MATERIAL:	MATERIAL DESC:
	TOOL NUMBER:	N/A	DATE:	REV:
			9/17/2019	-
		DRAWN BY:	-	
		A. Seeboth		
		PART NUMBER:	LG35242CMSM.4	

WAGNER 10600 W Brown Deer Rd
 Milwaukee, WI 53224
 COLLABORATIVE METALWORKS <http://www.wagnercompanies.com/>

