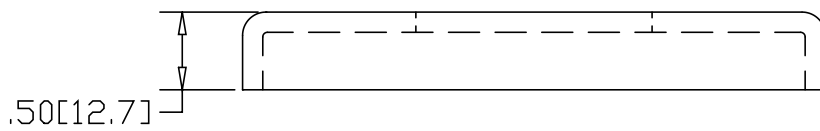
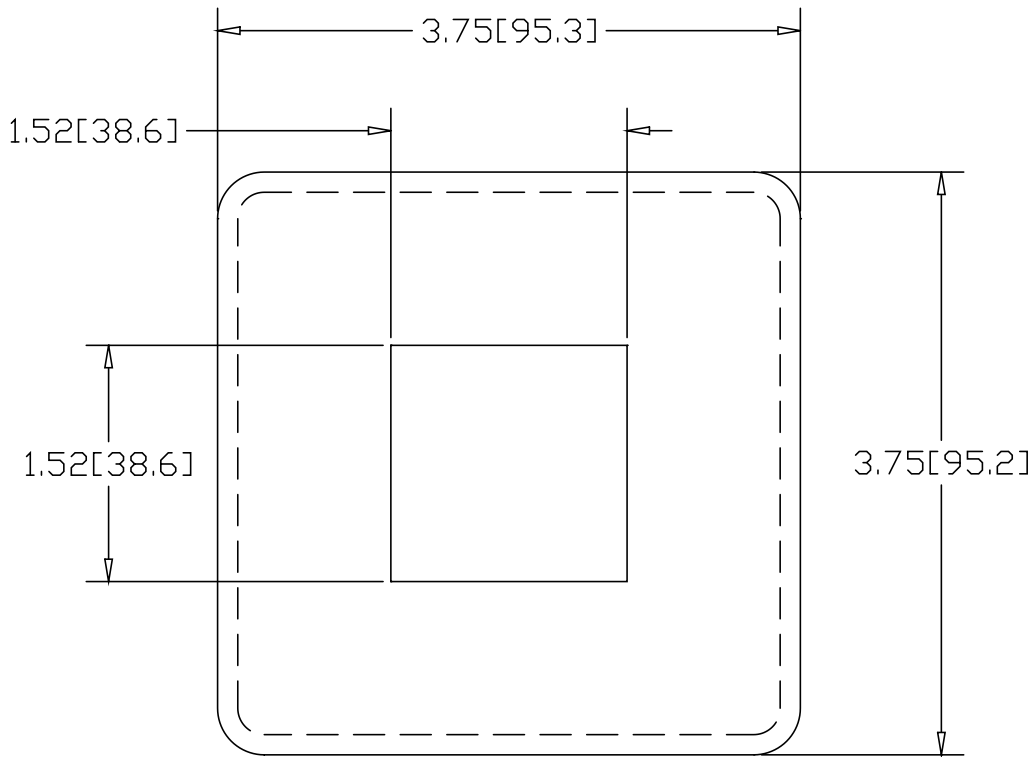


REV
SH
8722
DWG NO

REVISIONS			
REV	DESCRIPTION	DATE	APPROVED



INCHES [MILLIMETERS]

ALTERNATE MATERIAL	PART NUMBER
.125 (3003) ALUMINUM ASTM B-209	8792
10 GA. (304) STAINLESS STEEL ASTM A240	8862

PART NAME		1-1/2" SQUARE TUBE HFB FLANGE					
MATERIAL		10 GA. HRP&D STEEL ASTM A-569					
DATE	6/20/95						
DRAWN BY	RJF						
FINISH	MILL						
SIZE	A	WEIGHT	.56 LBS	PART NUMBER	8722	REV	