

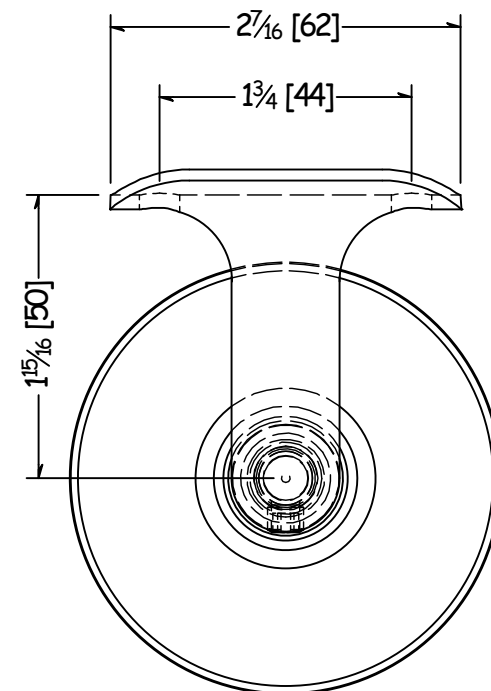
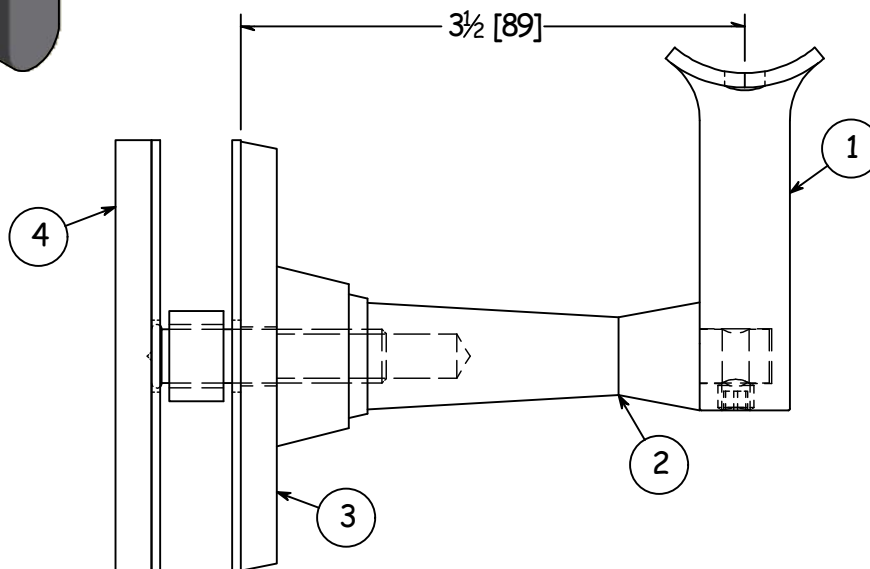
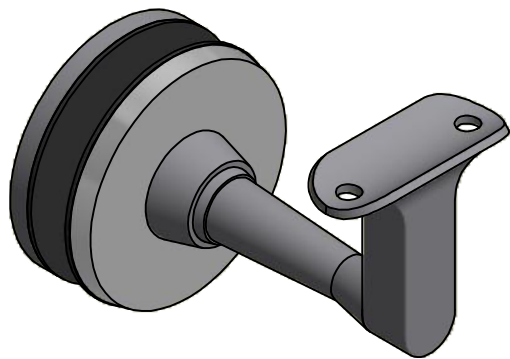
2




1

PARTS LIST

ITEM	QTY	PART NUMBER	DESCRIPTION
1	1	S3501	Handrail Bracket Saddle And Vertical Arm, SS, Cast, #4 Satin Finish, Type 316
2	1	RS3325	Handrail Bracket Arm, SS, Cast, 3 in Long, W/ End Spool, #4 Satin Finish, Type 316
3	1	DS901.316	3" Round Backing Disk for Wall Mount
4	1	GB4373K.75	GLASS MOUNT ADAPTER KIT SS #4 FOR 3/4" GLASS, 316



TOLERANCE		FINISH:	DESCRIPTION:			
FRACTION: X/XX..... = ± 1/16" over 4ft. 16 FT RAIL EXAMPLE: 16 FT / 4 FT = 4 * 1/16" = 1/4" 16 FT RAIL..... = ± 1/4"		#4	Handrail Bracket, SS, Glass Mount, 3-1/2 Inch From Glass to Center of Handrail			
DECIMAL: X.XX..... = ± .030 X.XXX..... = ± .010 UNLESS OTHERWISE NOTED		N/A	MATERIAL: 316 Stainless	CUSTOMER NAME:		
		WEIGHT: N/A	DATE: 1/14/2014	 THE WAGNER COMPANIES R & B WAGNER, INC. AND J. G. BRAUN CO.		
		SIZE: A	DRAWN BY: K. Turdo			
			ITEM NUMBER: GB3300.75	SHEET: 1 OF 1	DRAWING NUMBER: GB3300.75	REV: -

2



1