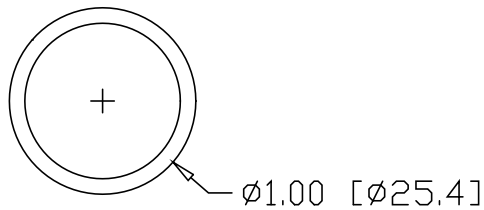
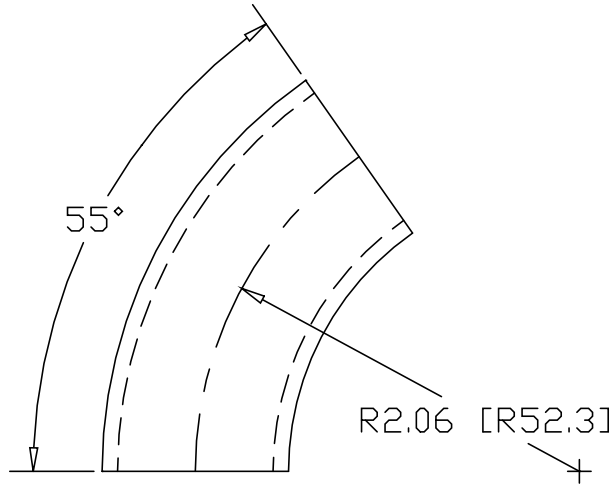



REV
SH
7804
DWG NO

REVISIONS			
REV	DESCRIPTION	DATE	APPROVED



INCHES [MILLIMETERS]

PART NAME		1.00" OD TUBE 55° ELL X 2.06" CLR		
MATERIAL		1.00" OD X .083W STEEL TUBE ASTM A513		
DATE	8/10/00	 THE WAGNER COMPANIES R & B WAGNER, INC. AND J. G. BRAUN CO.		
DRAWN BY	RJF			
FINISH	MILL			
SIZE	WEIGHT	PART NUMBER	REV	
A	.13 LBS	7804		