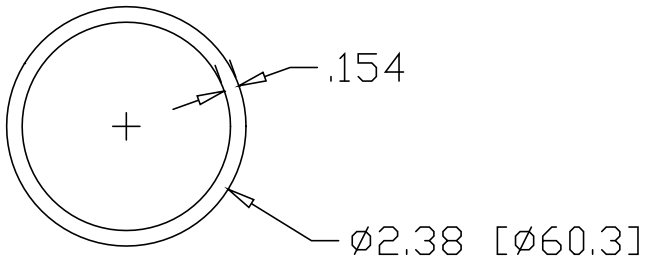
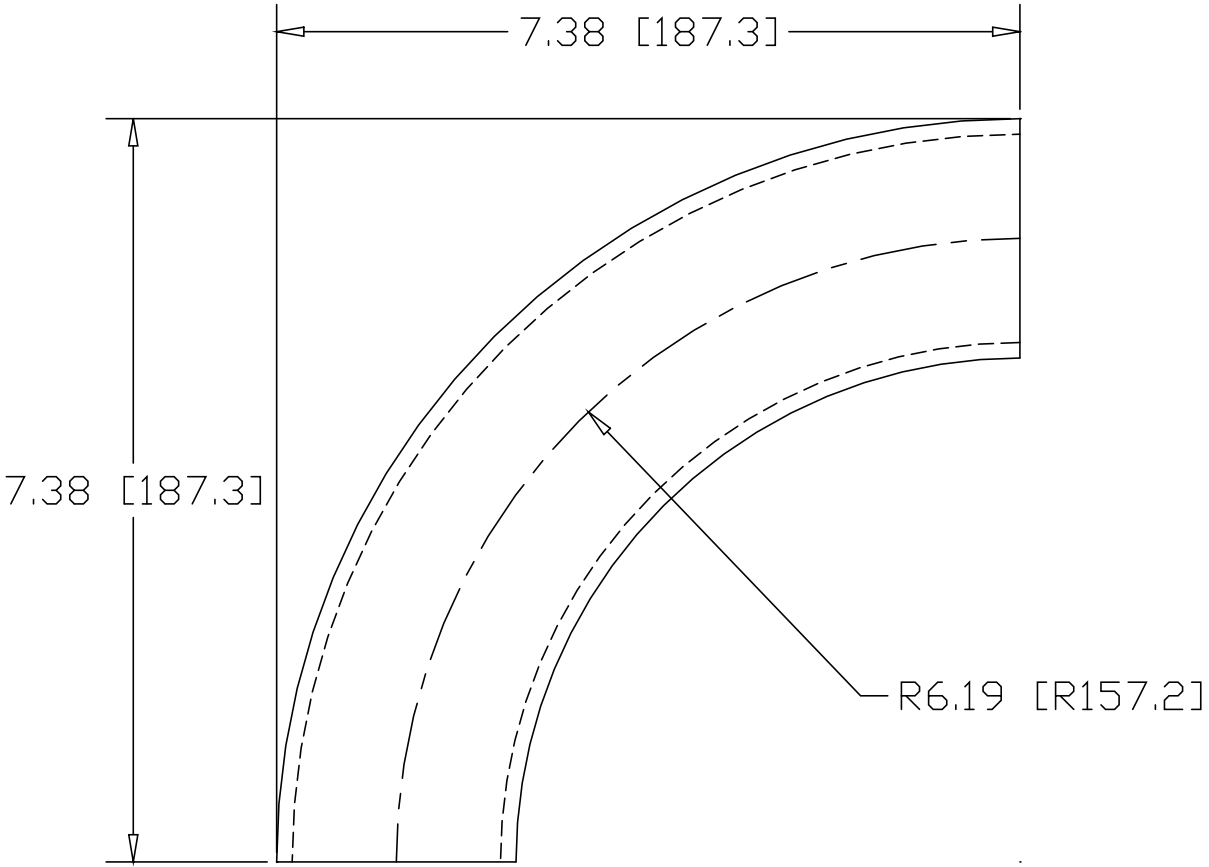



REV  
SH  
7187  
DWG NO

REVISIONS			
REV	DESCRIPTION	DATE	APPROVED



INCHES [MILLIMETERS]

ALTERNATE MATERIAL	PART NUMBER
2" SCH 40 (6063) ALUMINUM PIPE	7207
2" SCH 40 (304) STAINLESS STEEL PIPE	7227

PART NAME		2" PIPE SIZE 90° ELL X 5" I.R.					
MATERIAL		2" SCH 40 A53 STEEL PIPE					
DATE	7/02/01						
DRAWN BY	JAH						
FINISH	MILL						
SIZE	A	WEIGHT	2.96 LBS	PART NUMBER	7187	REV	