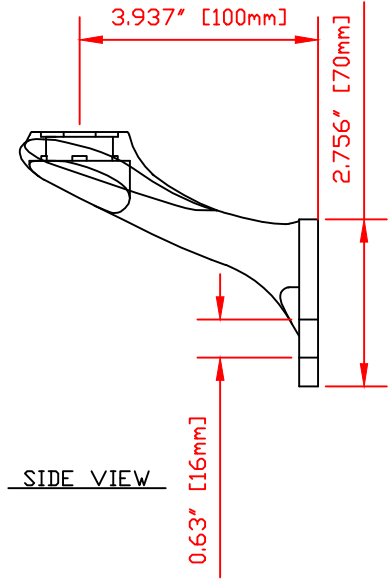
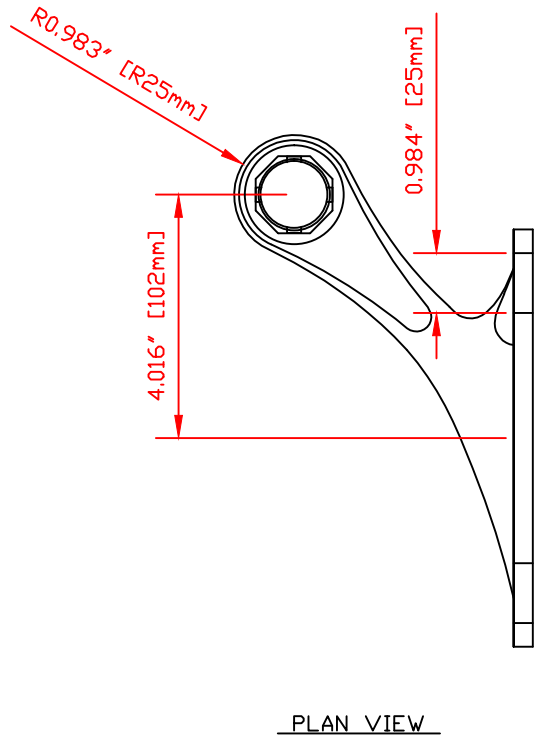
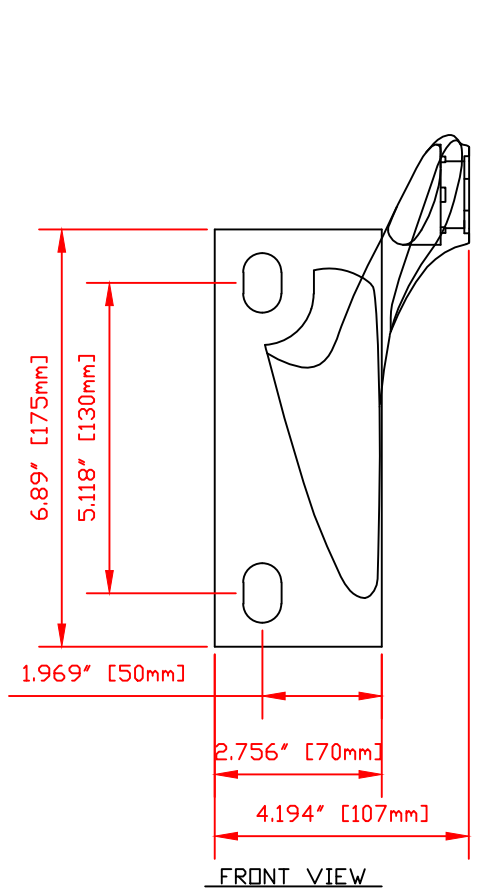



REVISIONS			
REV	DESCRIPTION	DATE	APPROVED



DISCLAIMER:
 THIS DRAWING AND THE INFORMATION CONTAINED
 HEREIN IS FOR GENERAL USE ONLY. THE WAGNER
 COMPANIES TAKES NO RESPONSIBILITY FOR THE
 SPECIFICATION OF THIS PRODUCT. PLEASE DO NOT
 SCALE DRAWINGS.

PART NAME SPIDER ASSEMBLY-SM SERIES (LEFT)			
MATERIAL STAINLESS STEEL 316			
DATE	11/13/13		THE WAGNER COMPANIES R & B WAGNER, INC. AND J. G. BRAUN CO.
DRAWN BY	TLK		
FINISH	SATIN	SIZE	A
		WEIGHT	
		PART NUMBER	LXSM1090L
		REV	