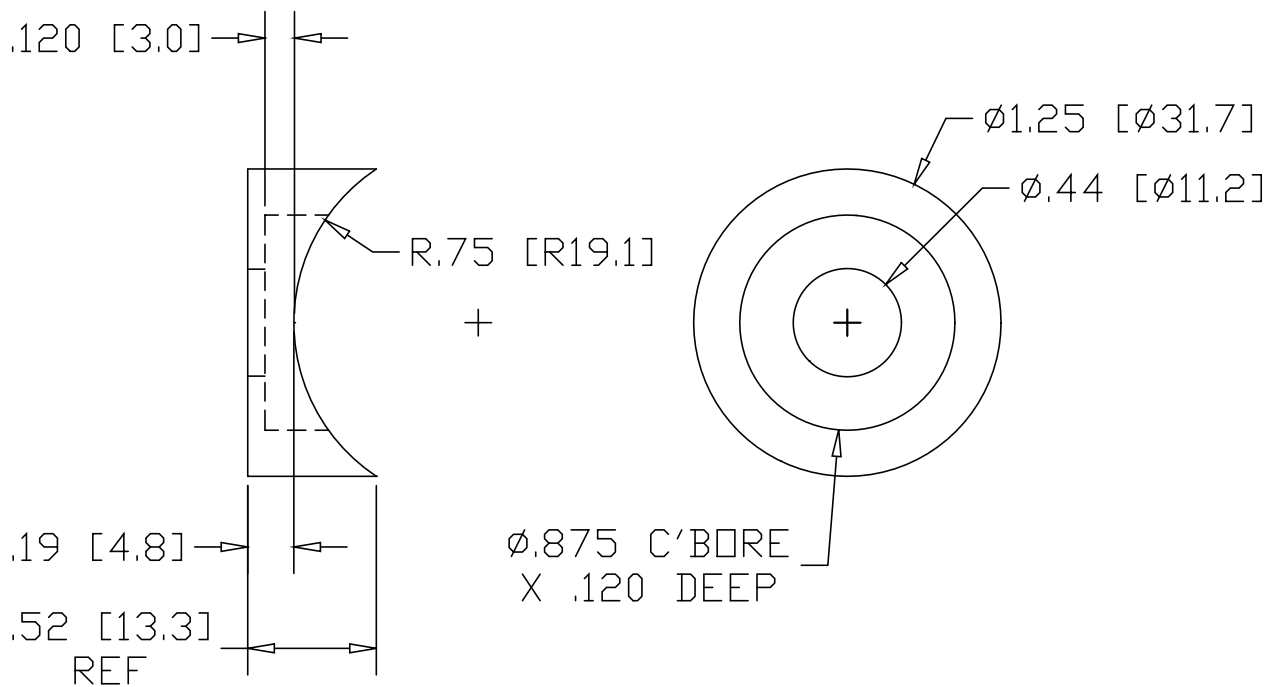



REV
A
SH
AB1507
DWG NO

REVISIONS			
REV	DESCRIPTION	DATE	APPROVED
A	ADDED C'BORE	09/29/06	RJF



* BREAK SHARP CORNERS .015 TYPICAL

INCHES [MILLIMETERS]

PART NAME		HANDRAIL MOUNT ADAPTER "A" FOR 1.50" OD POST	
MATERIAL		$\phi 1.25$ " (360) FREE MACHINING BRASS	
DATE	5/5/99	 THE WAGNER COMPANIES R & B WAGNER, INC. AND J. G. BRAUN CO.	PART NUMBER AB1507
DRAWN BY	RJF		
FINISH	#4 SATIN		
SIZE	A	WEIGHT	REV A