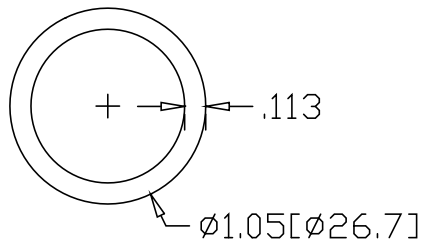
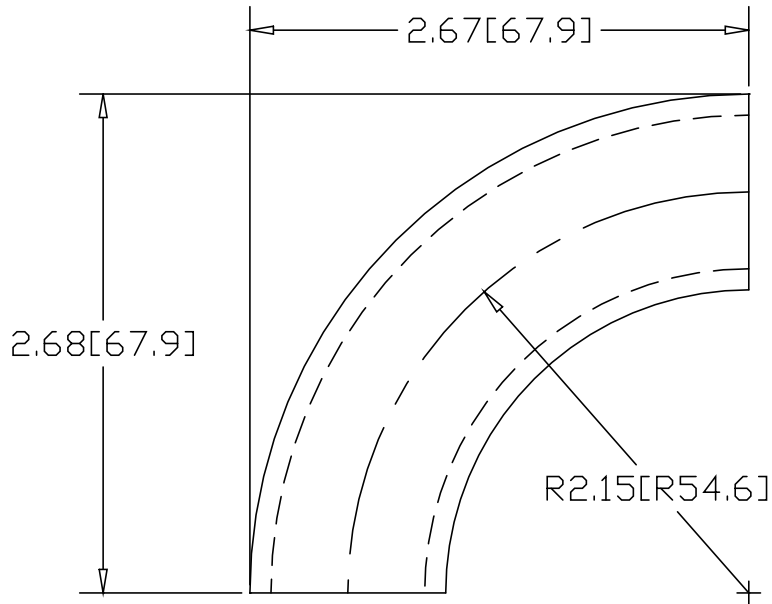



REV  
SH  
DWG NO 154-1

| REVISIONS |             |      |          |
|-----------|-------------|------|----------|
| REV       | DESCRIPTION | DATE | APPROVED |



INCHES [MILLIMETERS]

| ALTERNATE MATERIAL                     | PART NUMBER |
|--|-------------|
| 3/4" SCH 40 (6063) ALUMINUM PIPE       | 164-1       |
| 3/4" SCH 40 (304) STAINLESS STEEL PIPE | 174-1       |

|           |  |         |  |   |         |
|-----------|--|---------|--|---|---------|
| PART NAME |  |         |  | 3/4" PIPE SIZE 90° ELL X 1-5/8" I.R.  |         |
| MATERIAL  |  |         |  | 3/4" SCH 40 A53 STEEL PIPE  |         |
| DATE      |  | 8/18/95 |  |  <b>R &amp; B WAGNER, INC.</b> |         |
| DRAWN BY  |  | RJF     |  |   |         |
| FINISH    |  | MILL    |  | SIZE  | A       |
|           |  |         |  | WEIGHT  | .30 LBS |
|           |  |         |  | PART NUMBER   | 154-1   |
|           |  |         |  | REV   |         |