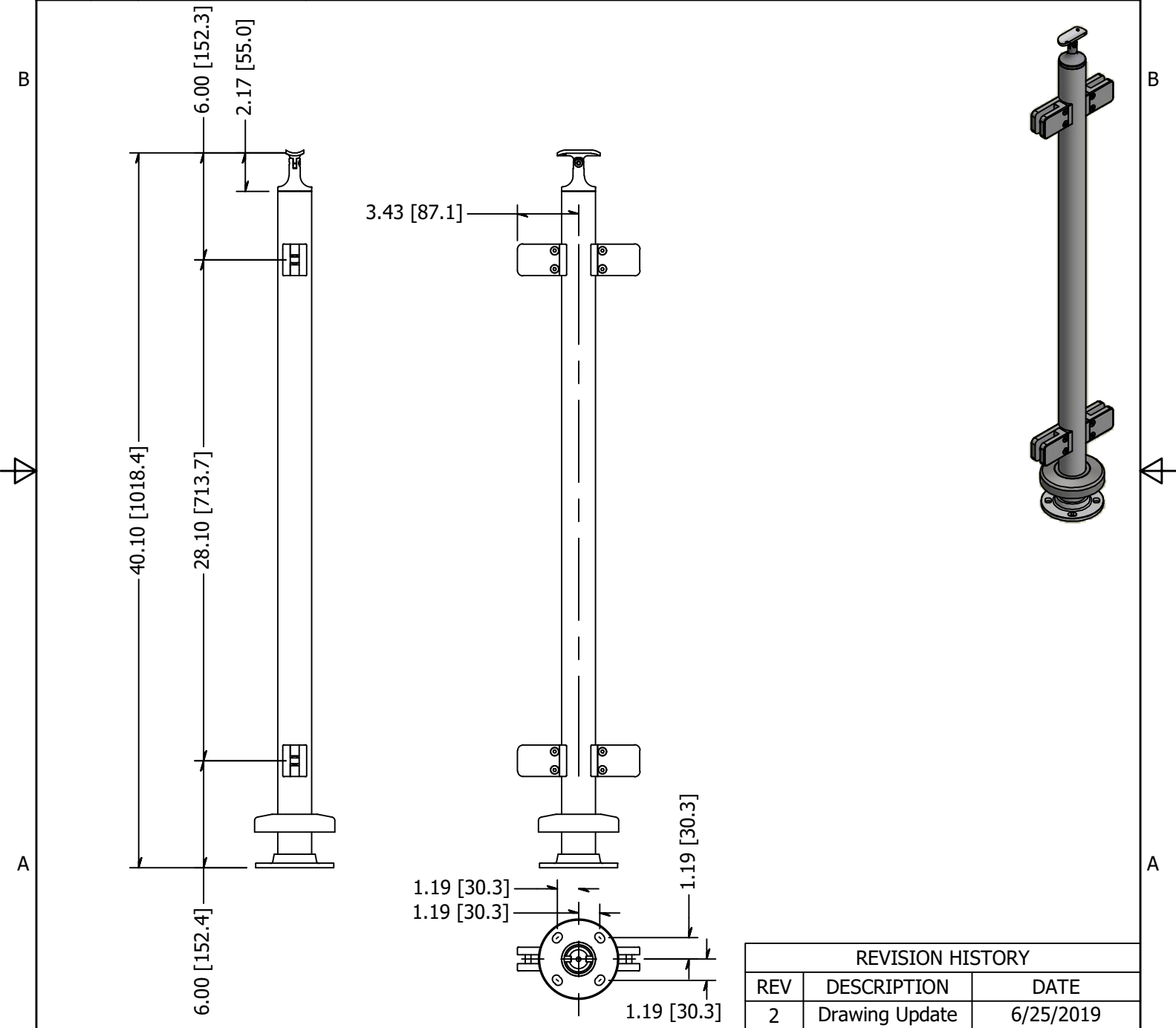




PARTS LIST

ITEM	QTY	PART NUMBER	DESCRIPTION
1	1	LG31942MSMA	Intermediate Post, Stainless Steel, 1-1/2 Inch Pipe (1.90 OD) Sch 40, 42 High, Brushed Satin Finish, Grade 316, Surface Mnt, Assm
2	1	2077.316.4	FLANGE SS SNAPON COVER 1.90 316 #4
3	4	GR310R.4	Clip, Stainless Steel, Panel Mounting, Radius Base for 1-1/2" Pipe, Square Type, #4 Satin Finish, Type 316
4	4	SHC3NM08C-0020	Screw, Stainless Steel, M8-1.25 x 20mm, Socket Head Cap Screw, A4-70
5	1	SS507	SADDLE, SWIVEL, CAST W/ HOLES



REVISION HISTORY		
REV	DESCRIPTION	DATE
2	Drawing Update	6/25/2019

<p>TOLERANCE</p> <p>UNLESS OTHERWISE NOTED, TOLERANCES TO CONFORM TO ES.03.011</p>	<p>MATERIAL:</p> <p>316 Stainless</p>	<p>DESCRIPTION:</p> <p>Intermediate Post, Stainless Steel, 1-1/2 Inch Pipe (1.90 OD) Sch 40, 42 High, Brushed Satin Finish, Grade 316, Surface Mnt, Sq</p>	
	<p>FINISH:</p> <p>Satin Brushed</p>	<p>DATE:</p> <p>6/25/2019</p>	<p>REV:</p> <p>2</p>
	<p>WEIGHT:</p> <p>N/A</p>	<p>DRAWN BY:</p> <p>T. Kolbach</p>	<p>10600 W Brown Deer Rd Milwaukee, WI 53224 http://www.wagnercompanies.com/</p>
	<p>ITEM NUMBER:</p> <p>LG31942AMSM.4</p>		

