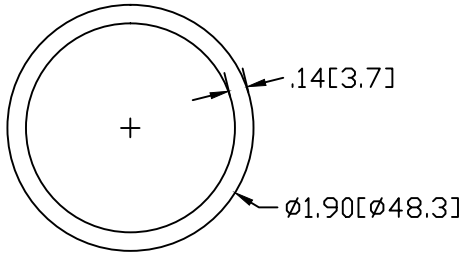
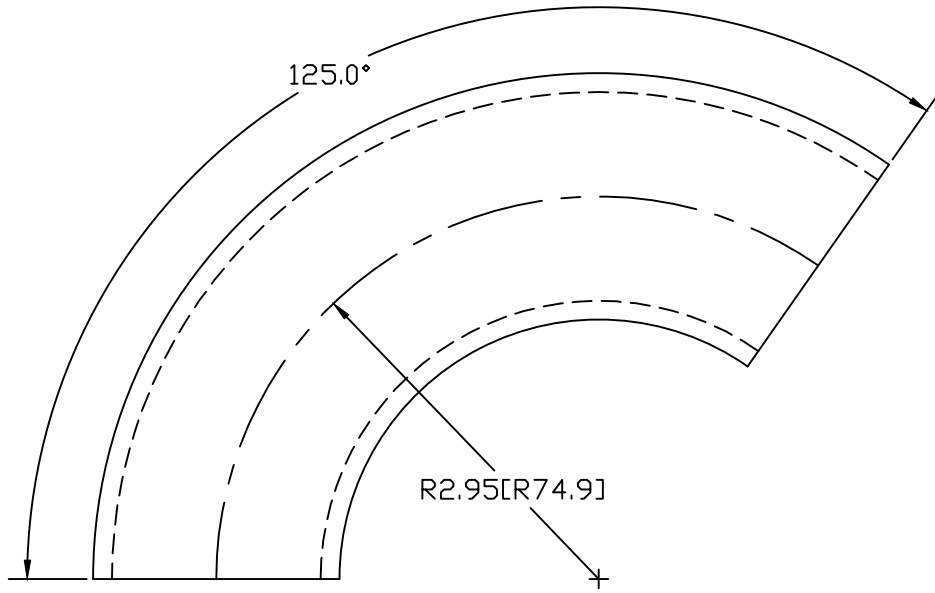



REV
SH
341-4
DWG NO

REVISIONS			
REV	DESCRIPTION	DATE	APPROVED



INCHES [MILLIMETERS]

ALTERNATE MATERIAL	PART NUMBER
1-1/2" SCH 40 (6063) ALUMINUM PIPE	365-4

PART NAME		1-1/2" PIPE SIZE 125° ELL X 2" I.R.					
MATERIAL		1-1/2" SCH 40 STEEL PIPE A53					
DATE	8/24/95	 R & B WAGNER, INC.					
DRAWN BY	RJF						
FINISH	MILL						
SIZE	A	WEIGHT	1.34 LBS	PART NUMBER	341-4	REV	