

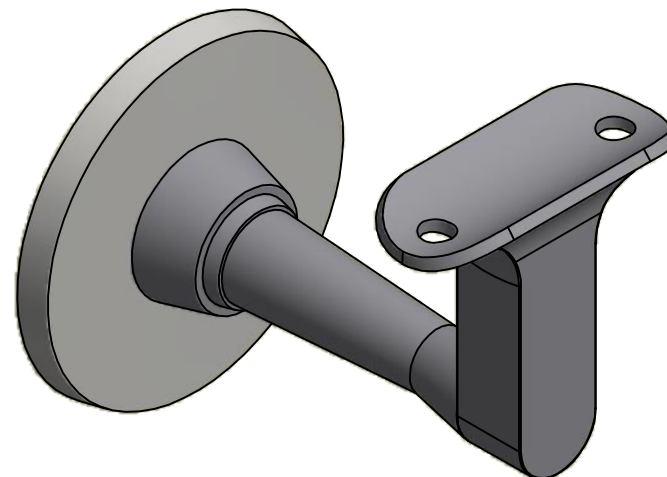
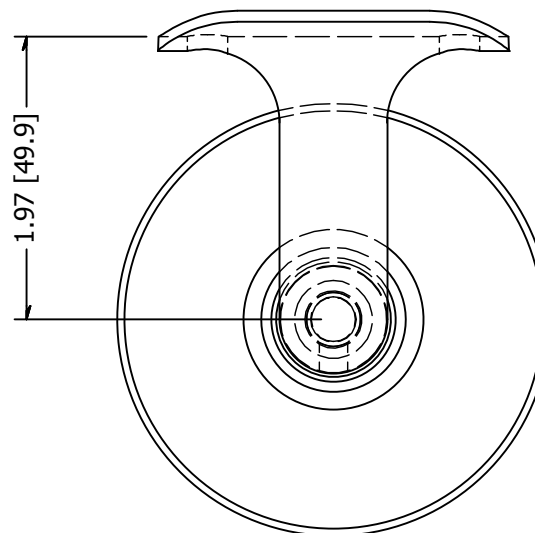
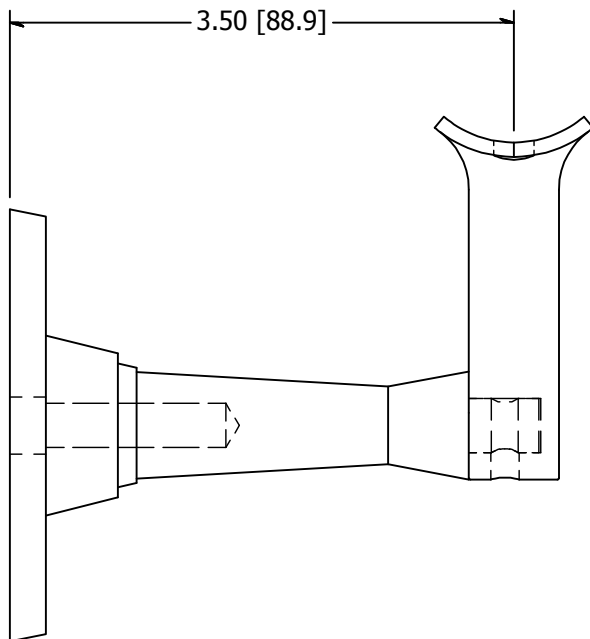
2




1

PARTS LIST

ITEM	QTY	PART NUMBER	DESCRIPTION
1	1	DS901	3" Round Backing Disk for Wall Mount
2	1	MB3300P	Handrail Bracket, SS, Post Mount, 3-1/4 Inch From Post to Center of Handrail



TOLERANCE		FINISH: #4		DESCRIPTION: Handrail Bracket, SS, Wall Mount, 3-1/2 Inch From Wall to Center, Kit			
FRACTION: X/XX..... = ± 1/16" over 4ft. 16 FT RAIL EXAMPLE: 16 FT / 4 FT = 4 * 1/16" = 1/4" 16 FT RAIL..... = ± 1/4"		WEIGHT: 1.24 lbmass		MATERIAL: 316 Stainless		CUSTOMER NAME:	
DECIMAL: X.XX..... = ± .030 X.XXX..... = ± .010 UNLESS OTHERWISE NOTED		SIZE: A		DATE: 10/21/2013		 THE WAGNER COMPANIES R & B WAGNER, INC. AND J. G. BRAUN CO.	
				DRAWN BY: K. Turdo			
						SHEET: 1 OF 1	
						DRAWING NUMBER: MB3300W	
						REV: -	

2



1