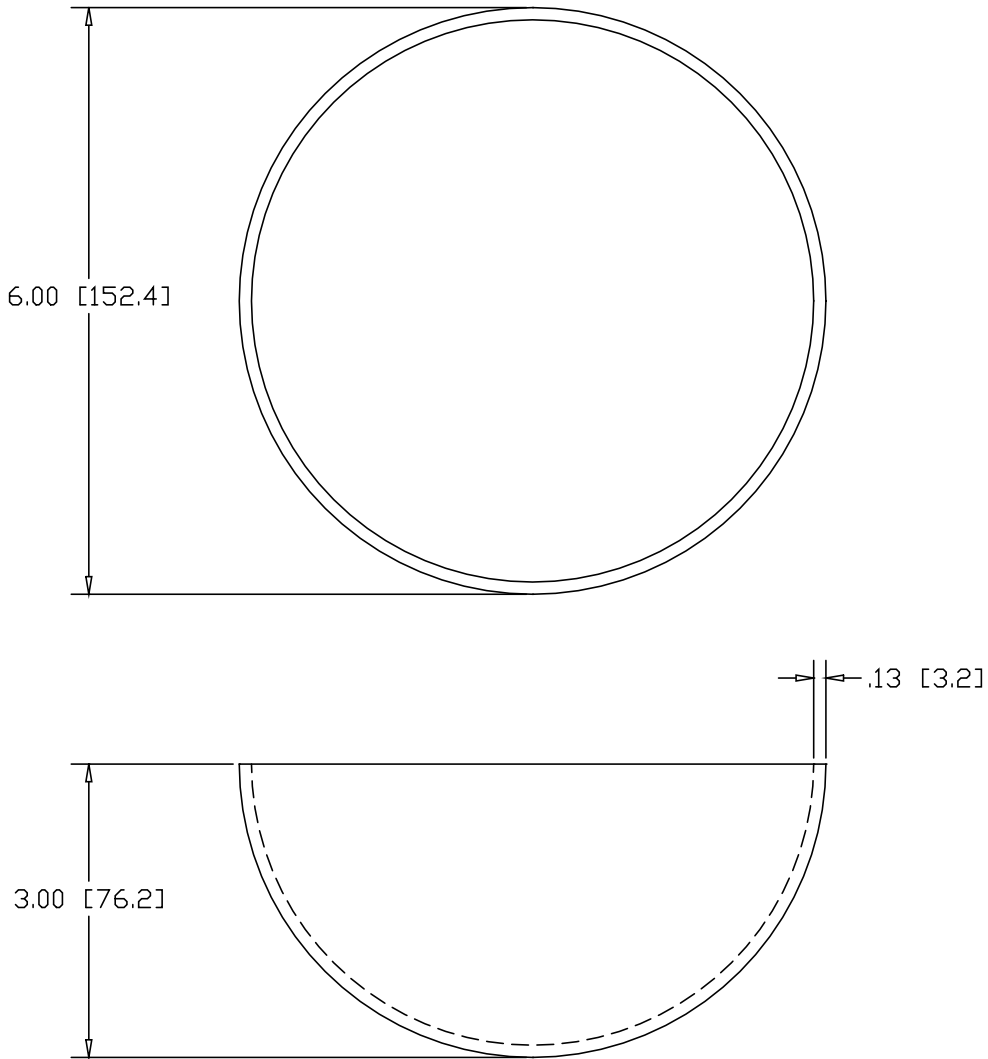


REV
SH
DWG NO B4170

REVISIONS			
REV	DESCRIPTION	DATE	APPROVED



INCHES [MILLIMETERS]

ALTERNATE MATERIAL	PART NUMBER
.125 (3003) ALUMINUM SHEET ASTM B209	B4172
11 GA. (.1200) 304 STAINLESS STEEL A240	B4174
.125 (260) BRASS	B4176
.125 (655) SILICON BRONZE	BSB4170

PART NAME		6.00" HEMISPHERE		
MATERIAL		11 GA. (.1196) HRP&D STEEL SHEET ASTM A569		
DATE	1/4/00		THE WAGNER COMPANIES R & B WAGNER, INC. AND J. G. BRAUN CO.	
DRAWN BY	RJF			
FINISH	MILL			
SIZE	WEIGHT	PART NUMBER	REV	
A	1.70 LBS	B4170		