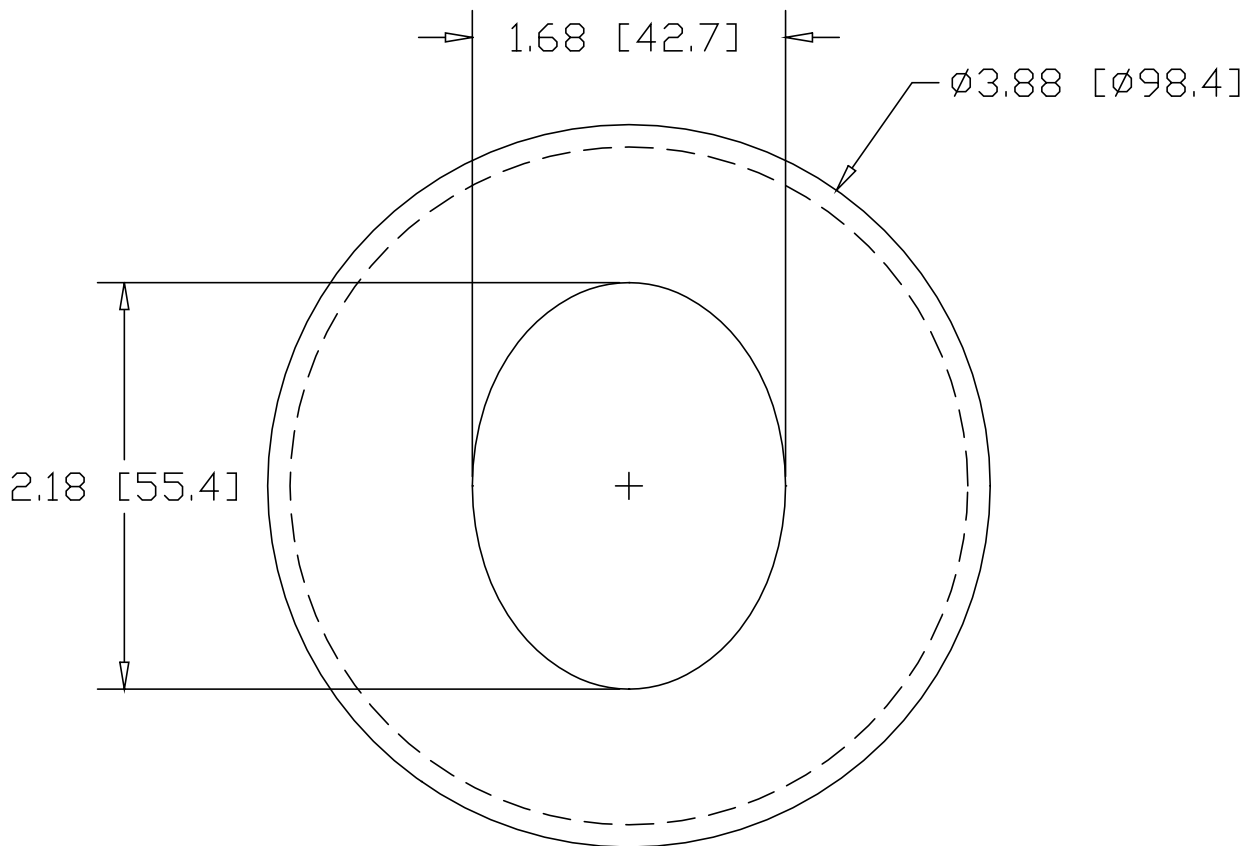


REV  
SH  
2826  
DWG NO

REVISIONS			
REV	DESCRIPTION	DATE	APPROVED



INCHES [MILLIMETERS]

ALTERNATE MATERIAL	PART NUMBER
.125 (3003) ALUMINUM ASTM B209	2866
10 GA. (304) STAINLESS STEEL ASTM A240	2906

PART NAME 1-1/4" PIPE HEAVY FLUSH BASE BEVELED FLANGE				
MATERIAL 10 GA. HRP&D STEEL ASTM A569				
DATE 9/6/94		THE WAGNER COMPANIES R & B WAGNER, INC. AND J. G. BRAUN CO.		
DRAWN BY RJF				
FINISH MILL	SIZE A	WEIGHT .5 LBS	PART NUMBER 2826	REV