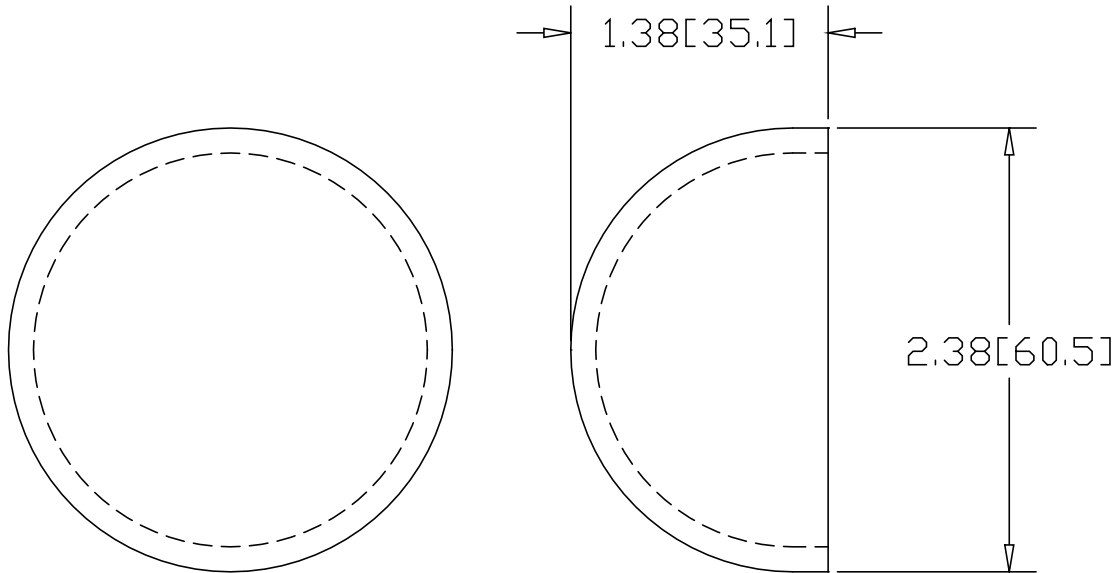
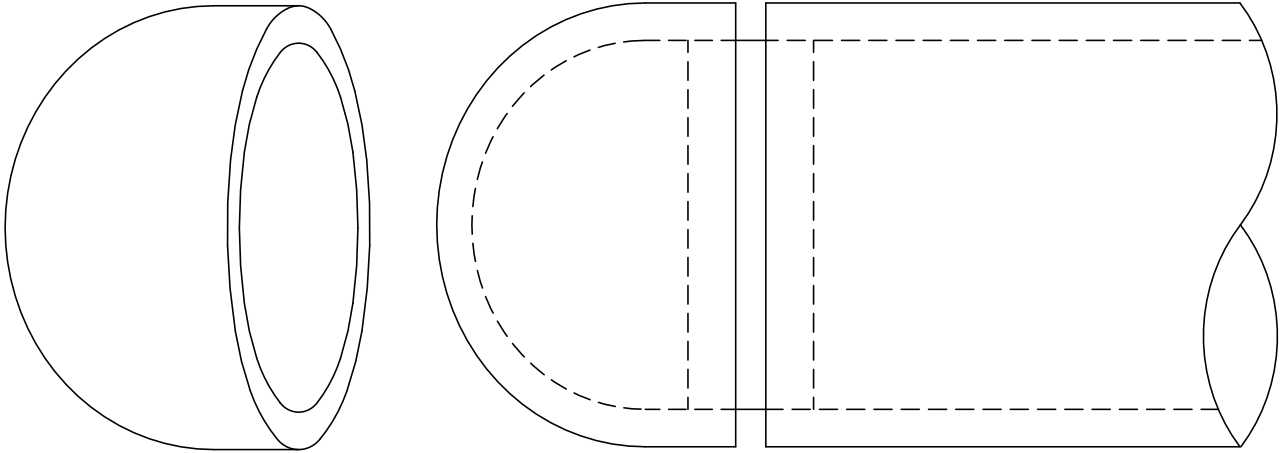



REV
SH
DWG NO 3221

REVISIONS			
REV	DESCRIPTION	DATE	APPROVED



INCHES [MILLIMETERS]

ALTERNATE MATERIAL	PART NUMBER
.125 (3003) ALUMINUM ASTM B209	3241
11 GA 304 STAINLESS STEEL ASTM A240	3261

PART NAME 2" PIPE SIZE TYPE-C FLUSH WELD-ON END CAP			
MATERIAL 10 GA. HRP&D STEEL ASTM A569			
DATE 10/11/96	 THE WAGNER COMPANIES R & B WAGNER, INC. AND J. G. BRAUN CO.		
DRAWN BY RJF			
FINISH MILL		SIZE A	WEIGHT .34 LBS
			REV