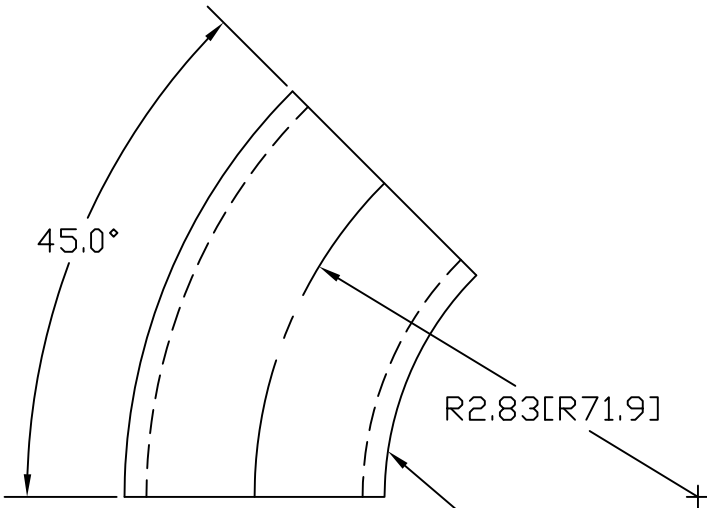
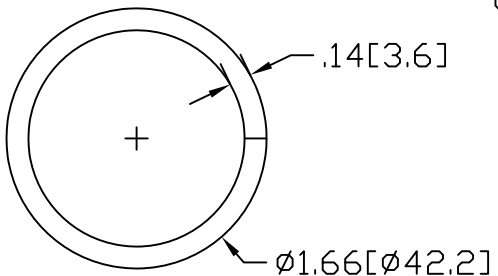


REV
SH
DWG NO 256

REVISIONS			
REV	DESCRIPTION	DATE	APPROVED




NOTE: UNWELDED SEAM ALONG INSIDE RADIUS (STEEL ELLS ONLY)



INCHES [MILLIMETERS]

ALTERNATE MATERIAL	PART NUMBER
1-1/4" SCH 40 (6063) ALUMINUM PIPE	280
1-1/4" SCH 40 (304) STAINLESS STEEL PIPE	305

PART NAME 1-1/4" PIPE SIZE 45° ELL X 2" I.R.				
MATERIAL 10 GA. HRP&D STEEL ASTM A569				
DATE 8/24/95	 R & B WAGNER, INC.			
DRAWN BY RJF				
FINISH MILL	SIZE A	WEIGHT .44 LBS	PART NUMBER 256	REV