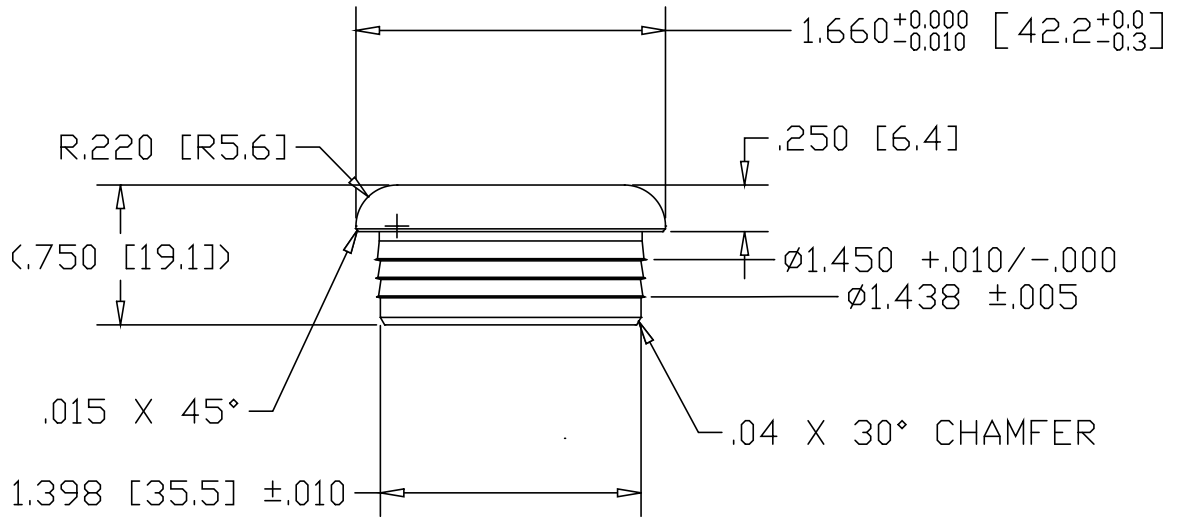



REV
SH
3297-L
DWG NO

REVISIONS			
REV	DESCRIPTION	DATE	APPROVED



INCHES [MILLIMETERS]

PART NAME 1-1/4" SCH10 PIPE SIZE TYPE-G MACHINED DRIVE-ON CAP			
MATERIAL 6063-T52 ALUMINUM			
DATE 01/06/12		THE WAGNER COMPANIES R & B WAGNER, INC. AND J. G. BRAUN CO.	
DRAWN BY RJF			
FINISH MILL	SIZE A	WEIGHT .13 LBS	PART NUMBER 3297-L
			REV