

2



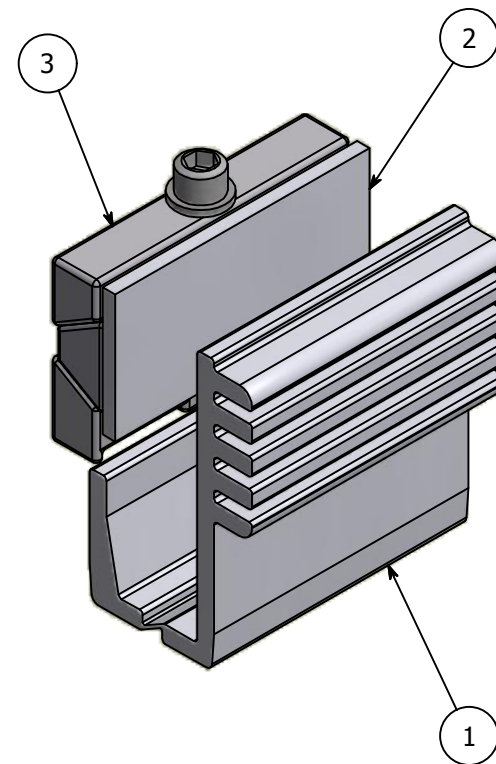
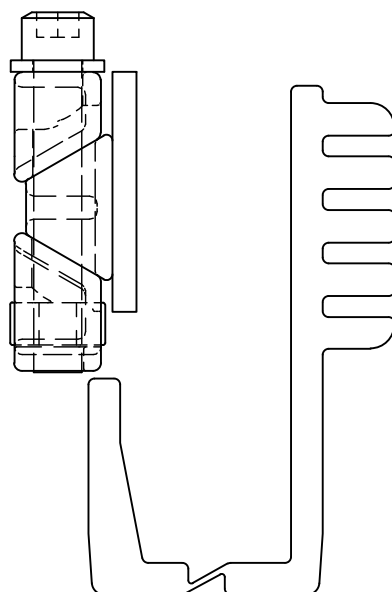
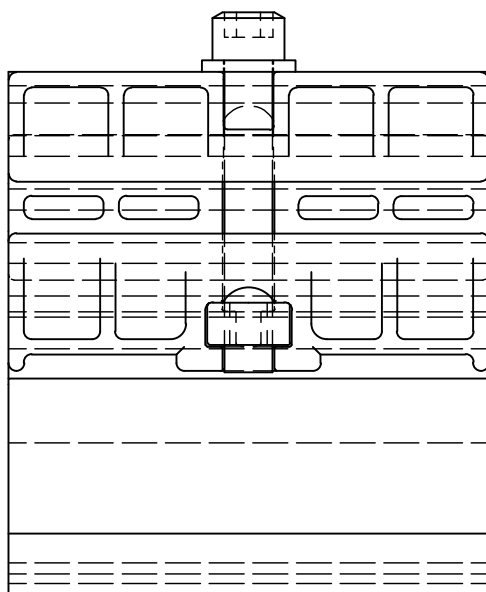
1

PARTS LIST

ITEM	QTY	PART NUMBER	DESCRIPTION
1	1	PGISO75	White Isolator, Plastic, Used with Panel Grip, 3/4" Glass
2	1	PGISO.125	White Pad, Used with Panel Grip, 3/4" Glass
3	1	N/A	Panel Grip Assembly

B

B



A

A

TOLERANCE X.X..... = ± .060 X.XX..... = ± .030 X.XXX..... = ± .010 XX°..... = ± 1° UNLESS OTHERWISE NOTED	CUT LENGTH:	FINISH:	DESCRIPTION: PanelGrip 2 for 3/4" Glass, Dry Mount Mechanism, with White Isolator and Black Pad		
	DEVELOPED LENGTH:	WEIGHT:	MATERIAL:	MATERIAL DESC:	
	TOOL NUMBER:		DATE:	REV:	 WAGNER COLLABORATIVE METAL WORKS
			As Is N/A PG2475S	9/10/2015 DRAWN BY: K. Bauserman	

2



1

2

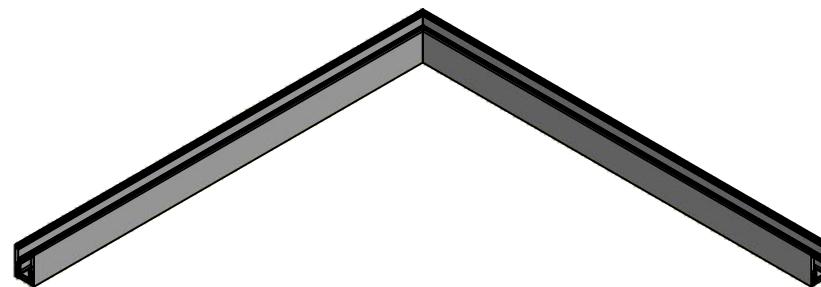
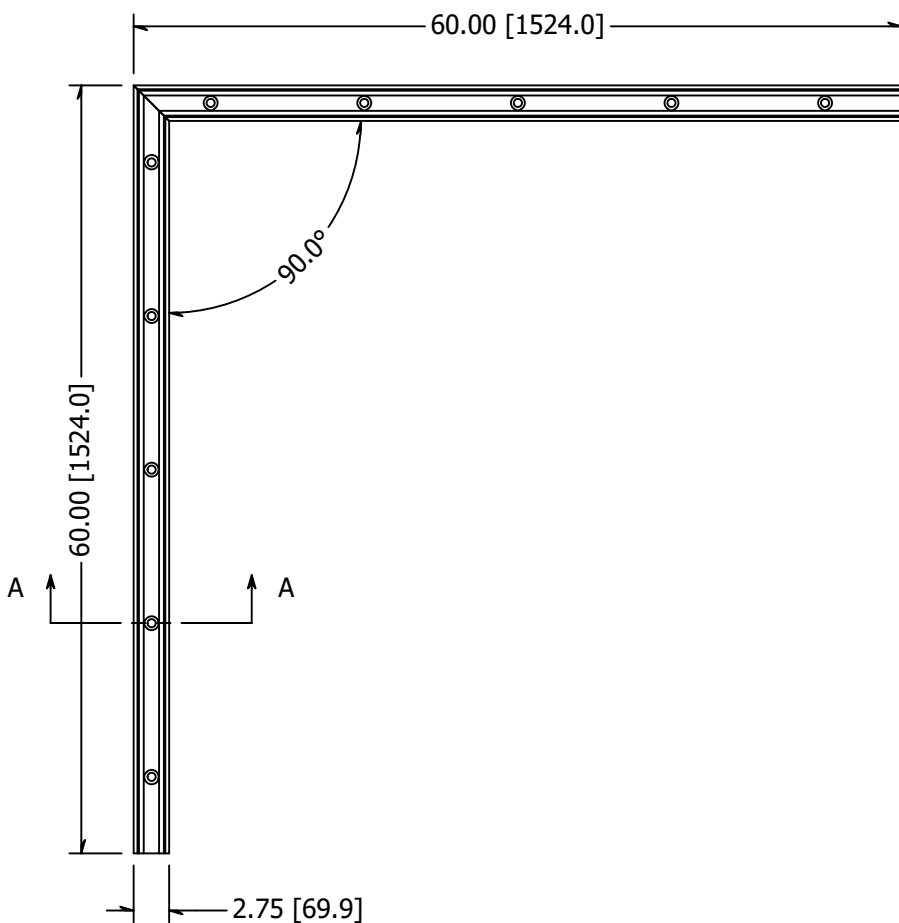


1

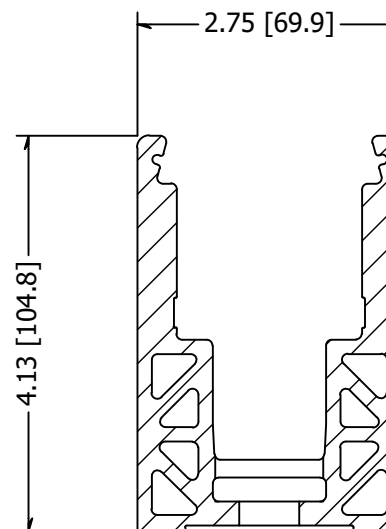
PARTS LIST

ITEM	QTY	PART NUMBER	DESCRIPTION
1	1	GR2457HCBMKR	Shoe Moulding, AL, Corner, PanelGrip, 2-3/4 In Wide, 4-1/8 In High, Counterbored Holes
2	1	GR2457HCBMKL	Shoe Moulding, AL, Corner, PanelGrip, 2-3/4 In Wide, 4-1/8 In High, Counterbored Holes

B




B



SECTION A-A

A

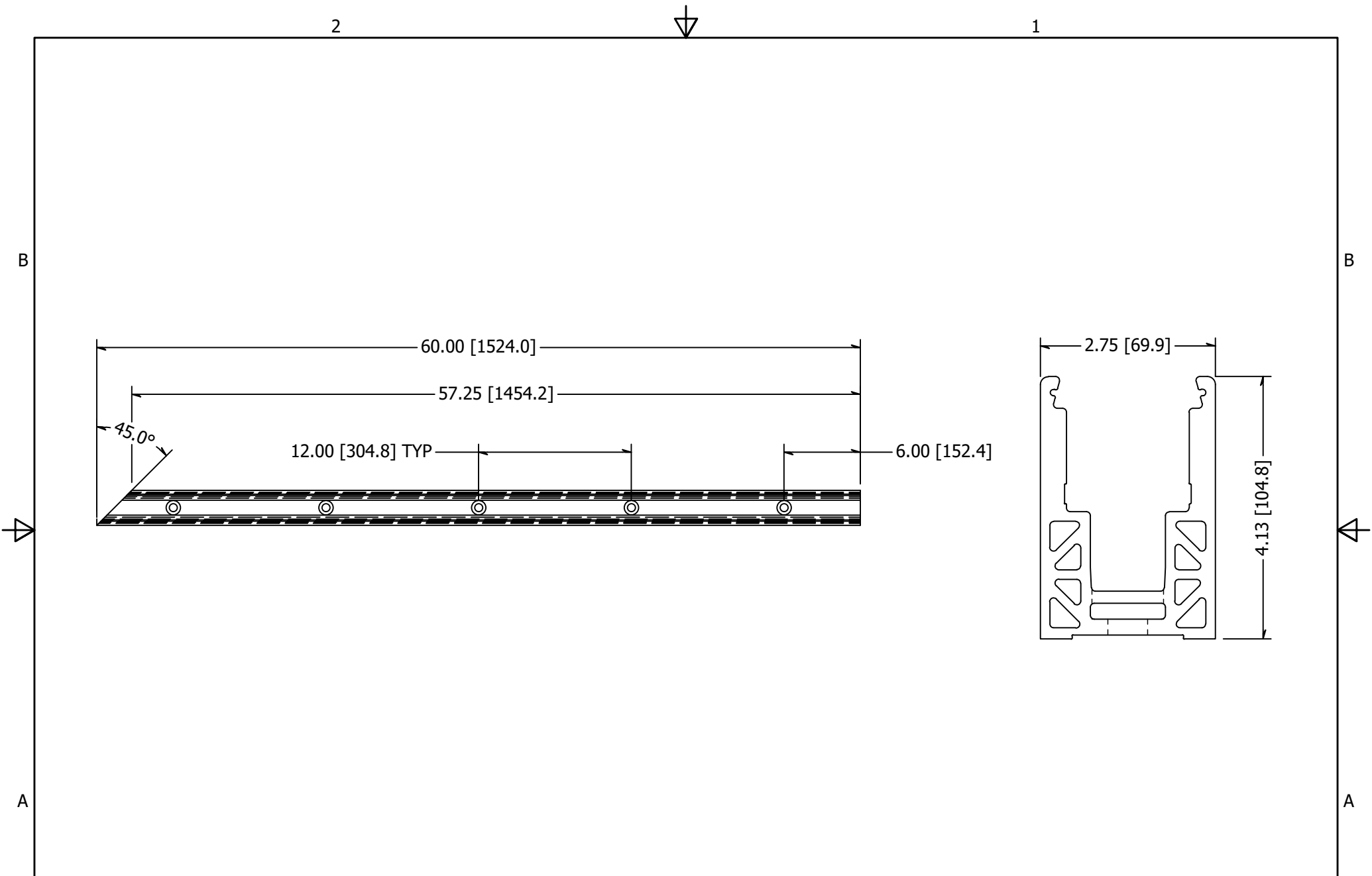
A

TOLERANCE UNLESS OTHERWISE NOTED, TOLERANCES TO CONFORM TO ES.03.011	MATERIAL: Aluminum	DESCRIPTION: Shoe Moulding, AL, Corner, PanelGrip, 2-3/4 In Wide, 4-1/8 In High, Counterbored Holes	
	FINISH: Mill	DATE: 6/17/2020	REV: -
	WEIGHT: 47.67 lbmass	DRAWN BY: T. Haapakoski	
		ITEM NUMBER: GR2457HCBMK	
		 10600 W Brown Deer Rd Milwaukee, WI 53224 http://www.wagnercompanies.com/	

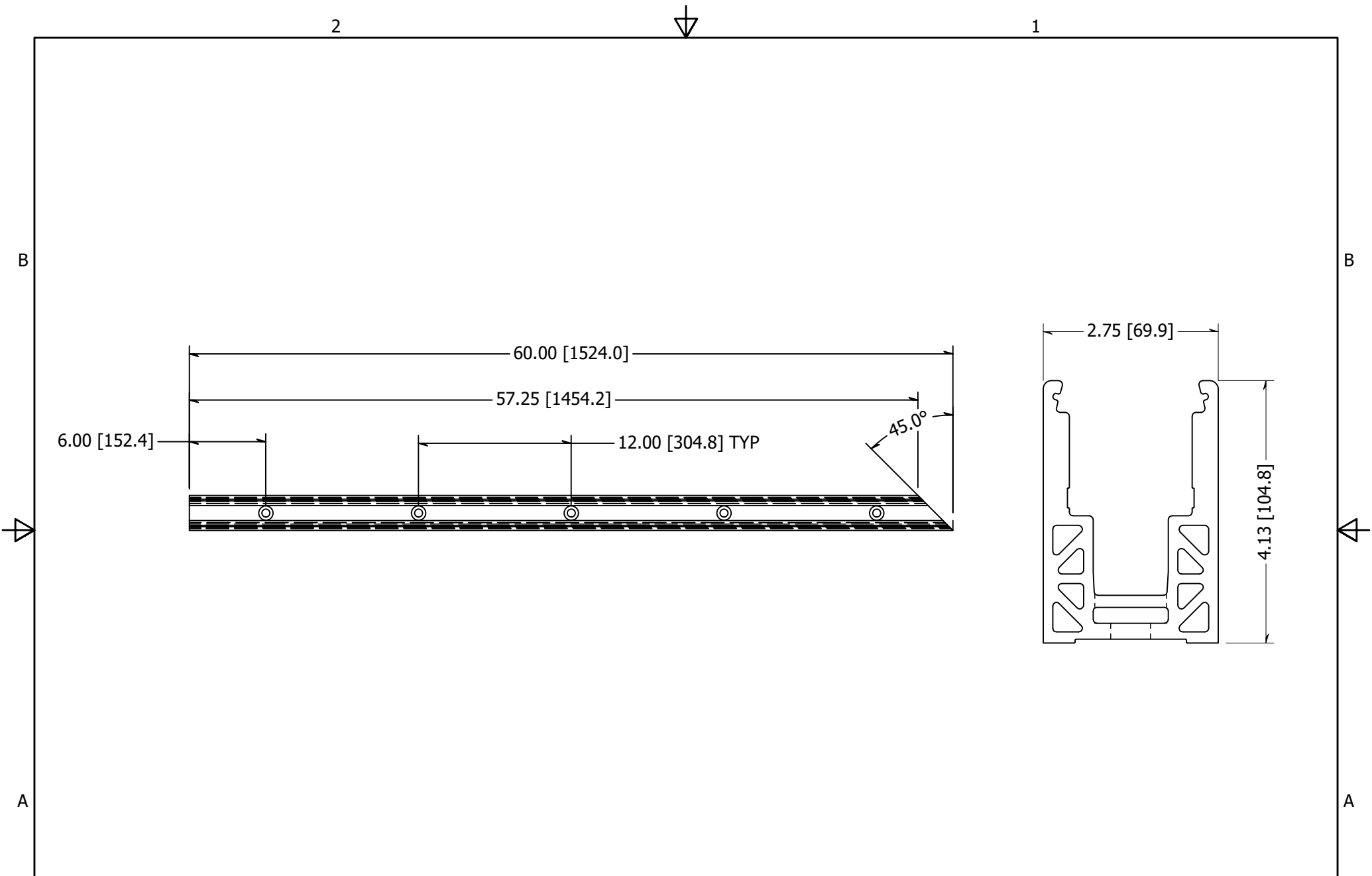
2




1



TOLERANCE UNLESS OTHERWISE NOTED, TOLERANCES TO CONFORM TO ES.03.011	CUT LENGTH:	FINISH:	DESCRIPTION: Shoe Moulding, AL, Corner, PanelGrip, 2-3/4 In Wide, 4-1/8 In High, Counterbored Holes	
	DEVELOPED LENGTH:	WEIGHT:	MATERIAL:	MATERIAL DESC:
	TOOL NUMBER:		Aluminum	
			DATE: 6/17/2020	REV: -
			DRAWN BY: T. Haapakoski	
			PART NUMBER: GR2457HCBMKL	
			 WAGNER ™ COLLABORATIVE METALWORKS	
			10600 W Brown Deer Rd Milwaukee, WI 53224 http://www.wagnercompanies.com/	



TOLERANCE UNLESS OTHERWISE NOTED, TOLERANCES TO CONFORM TO ES.03.011	CUT LENGTH:	FINISH:	DESCRIPTION: Shoe Moulding, AL, Corner, PanelGrip, 2-3/4 In Wide, 4-1/8 In High, Counterbored Holes	
		Mill	MATERIAL:	MATERIAL DESC:
	DEVELOPED LENGTH:	WEIGHT:	Aluminum	
		23.84 lbmass	DATE: 6/17/2020	REV: -
TOOL NUMBER:		DRAWN BY: T. Haapakoski		 10600 W Brown Deer Rd Milwaukee, WI 53224 COLLABORATIVE METALWORKS http://www.wagnercompanies.com/
		PART NUMBER: GR2457HCBMKR		

2

1

B

B

A

A

2

1