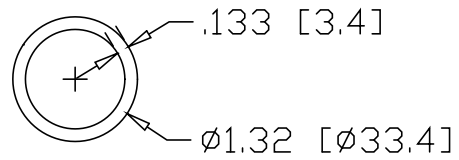
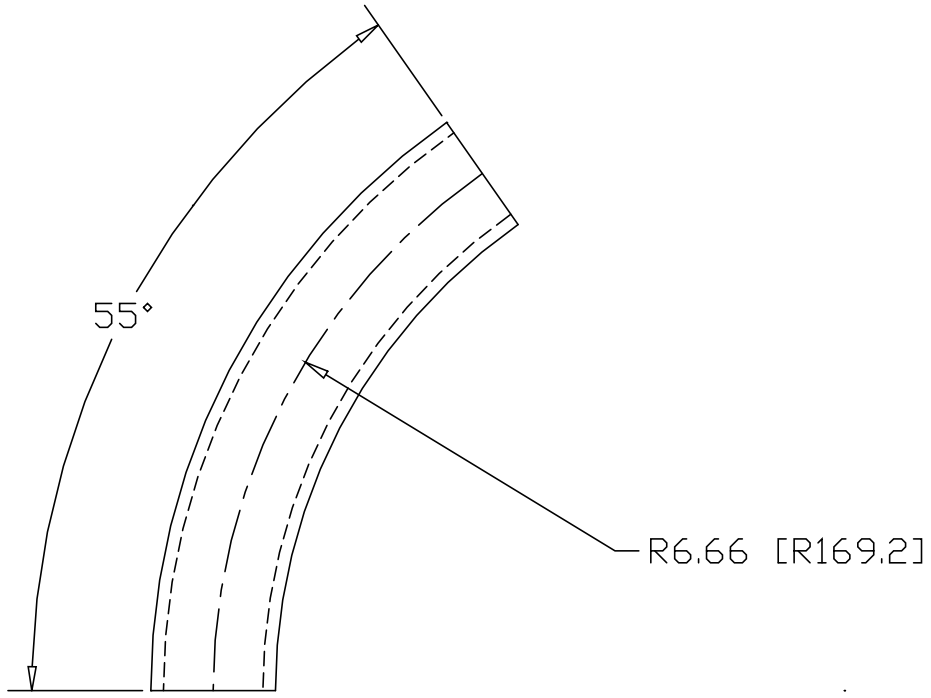



REV
SH
7405
DWG NO

REVISIONS			
REV	DESCRIPTION	DATE	APPROVED



INCHES [MILLIMETERS]

ALTERNATE MATERIAL	PART NUMBER
1" SCH 40 (6063) ALUMINUM PIPE	7425
1" SCH 40 (304) STAINLESS STEEL PIPE	7445

PART NAME				1" PIPE SIZE 55° ELL X 6" I.R.	
MATERIAL				1" SCH 40 A53 STEEL PIPE	
DATE	7/5/01	 WAGNER R & B WAGNER, INC.			
DRAWN BY	JAH				
FINISH	MILL				
SIZE	A	WEIGHT	.90 LBS	PART NUMBER	7405
				REV	