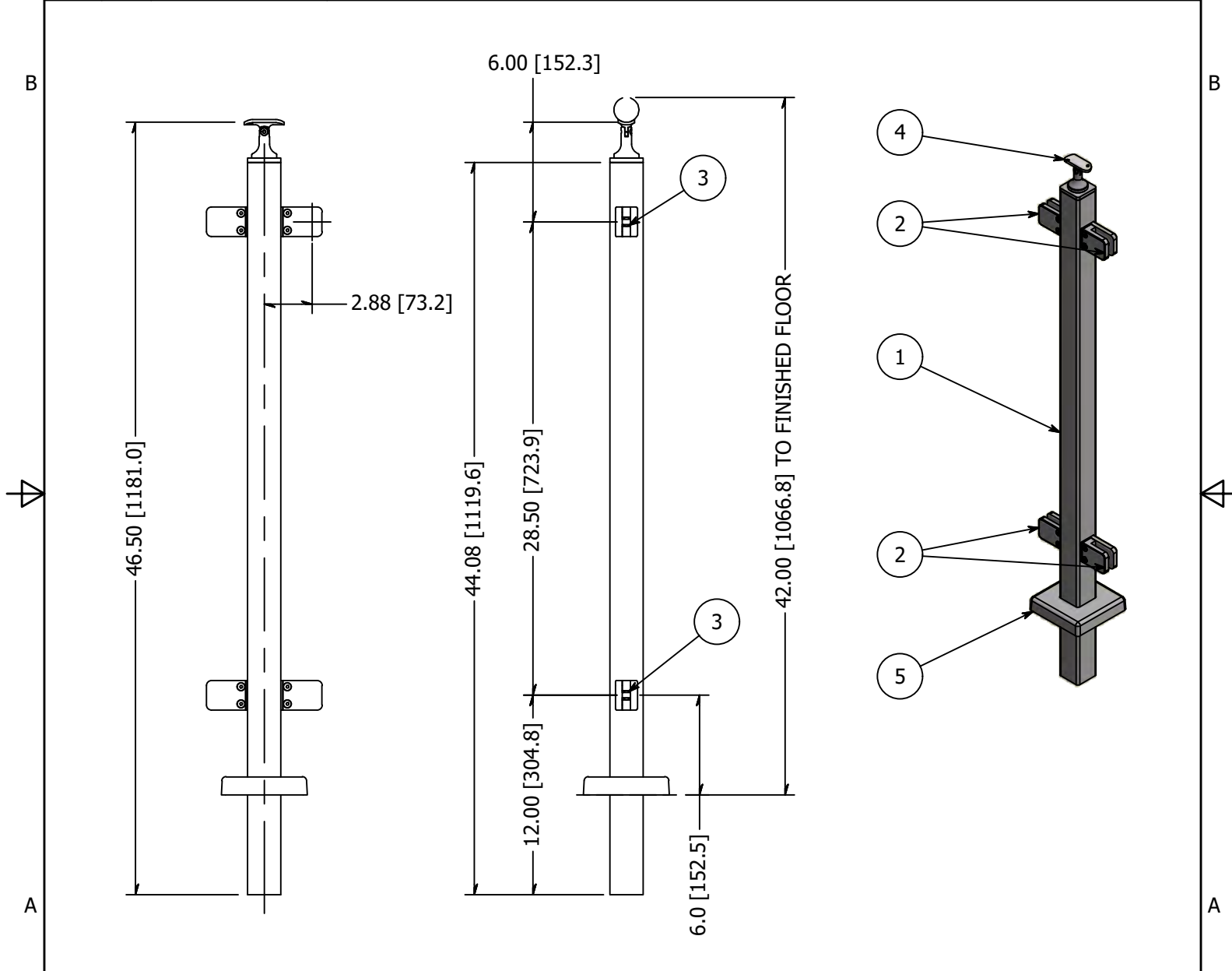


PARTS LIST

ITEM	QTY	PART NUMBER	DESCRIPTION
1	1	LG32242MEMA	Intermediate Post, Stainless Steel, 2.00 Inch Square x 0.12 Inch Wall, 42 High, Brushed Satin Finish, Grade 316, Embed Mount, Assm
2	4	GR310F.4	Clip, Stainless Steel, Panel Mounting, Flat Base, Square Type, #4 Satin Finish, Type 316
3	4	SHC3NM08C-0020	Screw, Stainless Steel, M8-1.25 x 20mm, Socket Head Cap Screw, A4-70
4	1	SS507	SADDLE, SWIVEL, CAST W/ HOLES
5	1	LG322SMC	Flange, Stainless Steel, Snap-On Cover For 2 Inch Square Tube, Satin Brushed Finish, Type 316



REVISION HISTORY

REV	DESCRIPTION	DATE	APPROVED
2	UPDATED DRAWING. ADDED (1) ITEM 5 (P/N LG322SMC)	3/13/2019	ATM

<p>TOLERANCE</p> <p>X.X..... = ± .060</p> <p>X.XX..... = ± .030</p> <p>X.XXX..... = ± .010</p> <p>XX°..... = ± 1°</p> <p>UNLESS OTHERWISE NOTED</p>	<p>MATERIAL:</p> <p>316 Stainless</p>	<p>DESCRIPTION:</p> <p>Intermediate Post, Stainless Steel, 2.00 Inch Square x 0.12 Inch Wall, 42 High, Brushed Satin Finish, Grade 316, Embed Mount, Sq</p>	
	<p>FINISH:</p> <p>Satin Brushed</p>	<p>DATE:</p> <p>9/5/2019</p>	<p>REV:</p> <p>2</p>
	<p>WEIGHT:</p> <p>N/A</p>	<p>DRAWN BY:</p> <p>T. Kolbach</p>	
	<p>ITEM NUMBER:</p> <p>LG32242MEM.4</p>		