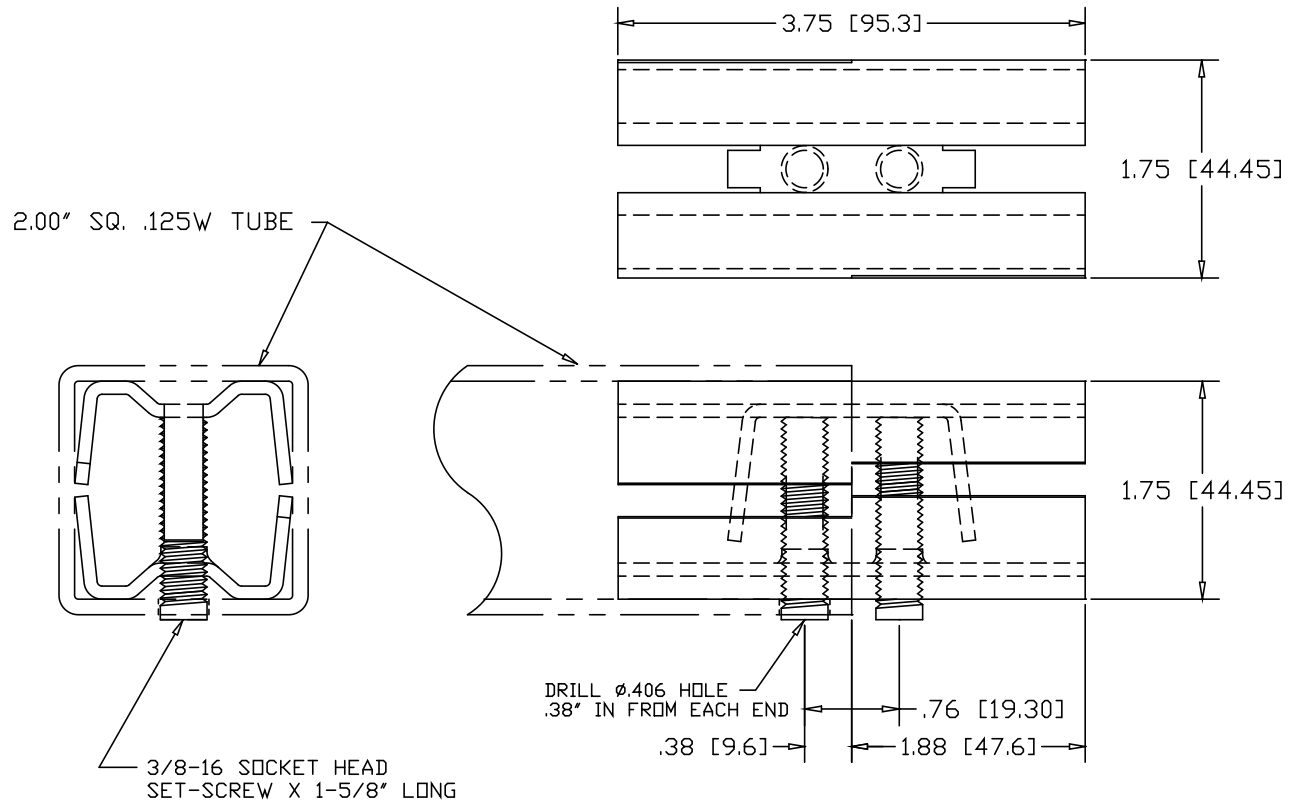



REVISIONS			
REV	DESCRIPTION	DATE	APPROVED



ALTERNATE MATERIAL	PART NO.
12 GA. STEEL HOT DIP GALVANIZED	G3385-3
12 GA. STEEL ZINC PLATED	PL3385-3
.090 (3003) ALUMINUM ASTM B209	3363-3

PART NAME		2.00" SQ. .125W TUBE DOUBLE-LOCK SPLICE-LOCK		
MATERIAL		12 GA. HRP&D STEEL ASTM A569		
DATE	9/27/01	 <b>THE WAGNER COMPANIES</b> R & B WAGNER, INC. AND J. G. BRAUN CO.	PART NUMBER	3385-3
DRAWN BY	JAH			
FINISH	MILL			
SIZE	A	WEIGHT	.62 LBS	REV