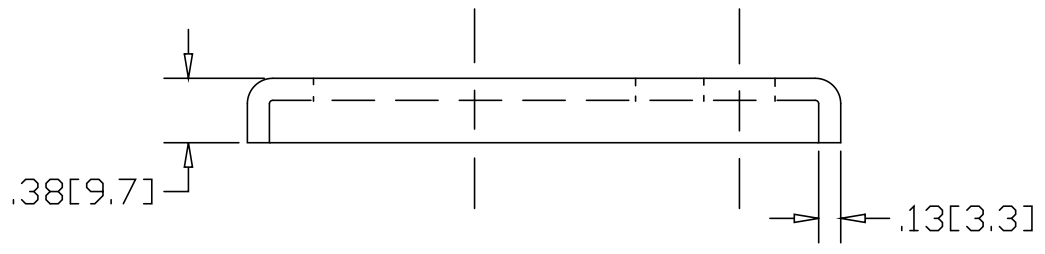
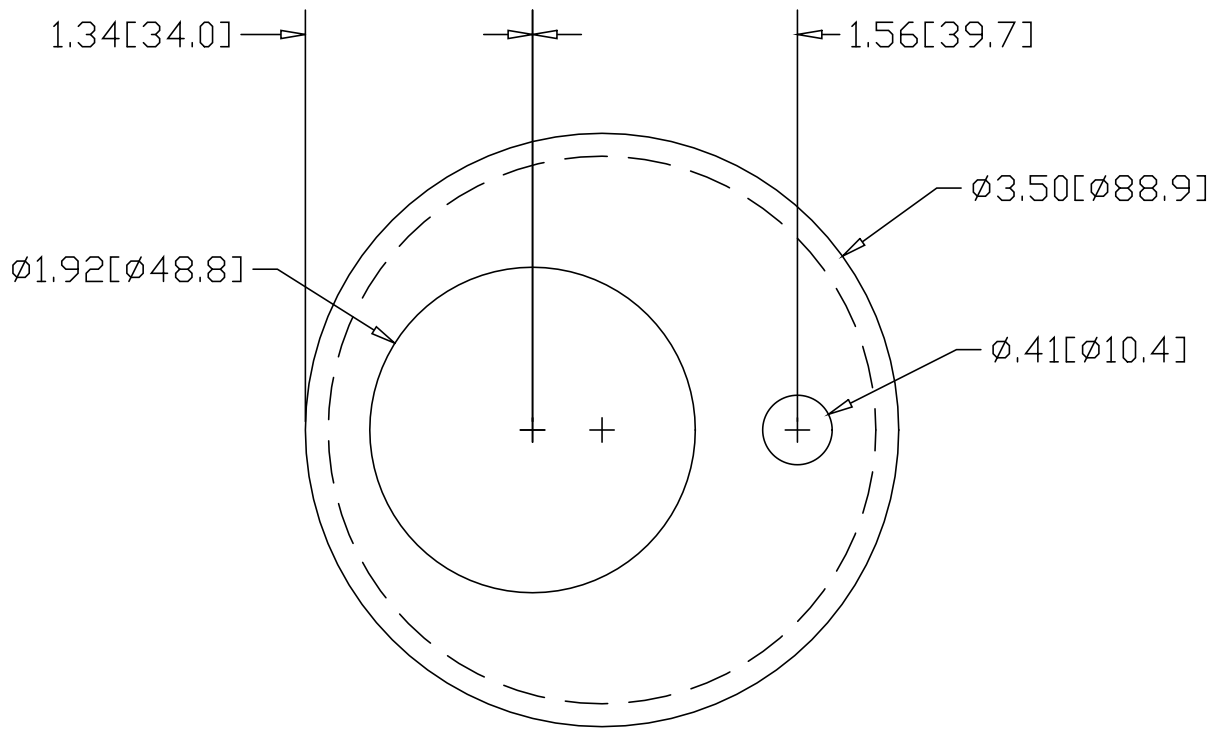



REV  
SH  
2534R  
DWG NO

REVISIONS			
REV	DESCRIPTION	DATE	APPROVED



INCHES [MILLIMETERS]

ALTERNATE MATERIAL	PART NUMBER
.125 (3003) ALUMINUM ASTM B209	2574R
10 GA. (304) STAINLESS STEEL ASTM A240	2614R

PART NAME		1-1/2" PIPE SIZE HFB OFFSET FLANGE	
MATERIAL		10 GA. HRP&D STEEL ASTM A569	
DATE	4/5/99	 <b>R &amp; B WAGNER, INC.</b>	
DRAWN BY	RJF		
FINISH	MILL	SIZE	A
		WEIGHT	.41 LBS
		PART NUMBER	2534R
		REV	