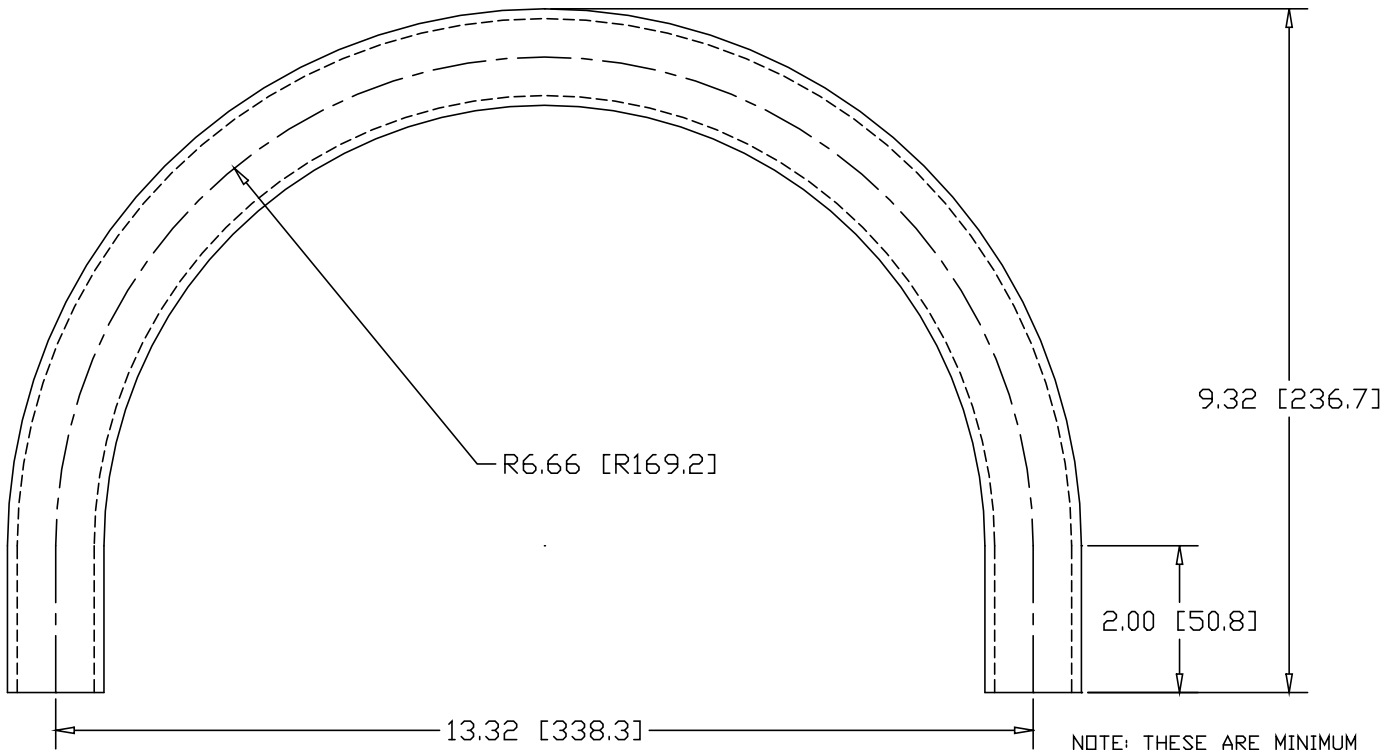
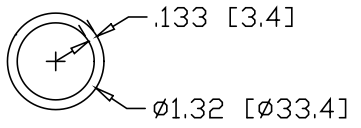


REV
SH
7414B
DWG NO

REVISIONS			
REV	DESCRIPTION	DATE	APPROVED



NOTE: THESE ARE MINIMUM DIMENSIONS, ENDS ARE LEFT UNTRIMMED



INCHES [MILLIMETERS]

ALTERNATE MATERIAL	PART NUMBER
1" SCH 40 (6063) ALUMINUM PIPE	7434B
1" SCH 40 (304) STAINLESS STEEL PIPE	7454B

PART NAME 1" PIPE SIZE 180° ELL X 6" I.R. W/ (2) 2" TANGENTS			
MATERIAL 1" SCH 40 A53 STEEL PIPE			
DATE 7/5/01			
DRAWN BY JAH			
FINISH MILL			
SIZE A	WEIGHT 3.49 LBS	PART NUMBER 7414B	REV