

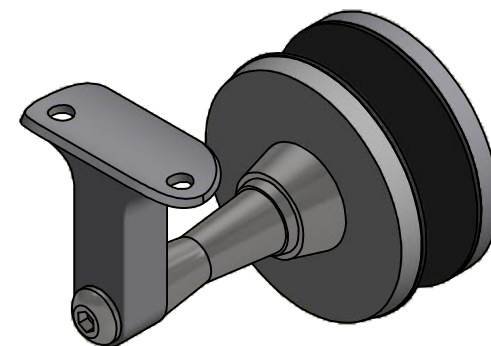
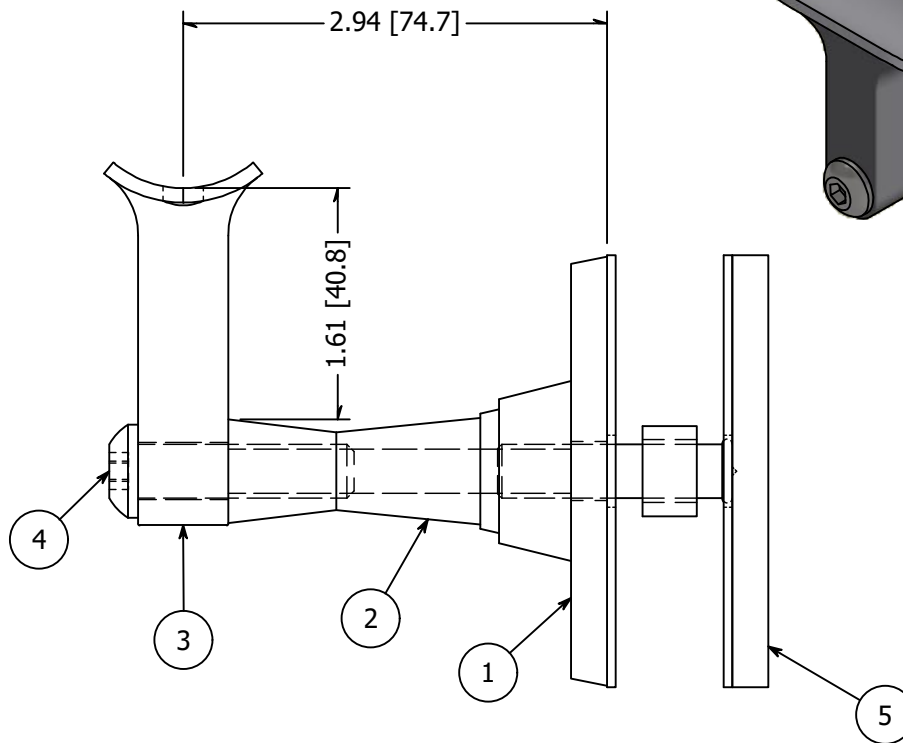
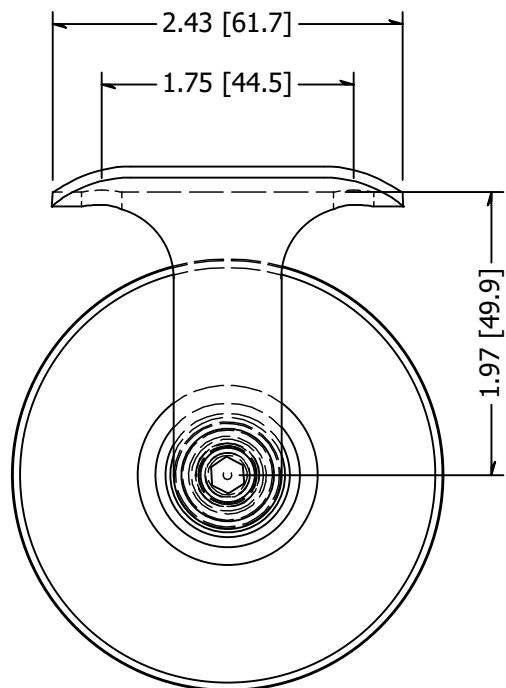
2



1

PARTS LIST

ITEM	QTY	PART NUMBER	DESCRIPTION
1	1	DS901	3" Round Backing Disk for Wall Mount
2	1	RS300	Handrail Bracket Arm, SS, 2-3/8 Inch Long, 3/8-16 Tapped Through
3	1	S3502	Handrail Bracket Saddle And Vertical Arm, SS, Cast, #4 Finish, Type 316, Bolt Style
4	1	BAH3N3816-0150	SCREW, SS, 3/8-16 X 1.50 Inch, Button, Allen Head
5	1	GB4383K.75	GLASS MOUNT ADAPTER KIT SS #4 FOR 3/4" GLASS



TOLERANCE UNLESS OTHERWISE NOTED, TOLERANCES TO CONFORM TO ES.03.011	MATERIAL:	304 Stainless			DESCRIPTION:	Handrail Bracket, SS, Glass Mount, 1/2 Inch, 3 Inch From Glass To Center			
	FINISH:	#4			DATE:	2/12/2021		REV:	1
	WEIGHT:	N/A			DRAWN BY:	K. Turdo		ITEM NUMBER:	
					GB3301.75		10600 W Brown Deer Rd Milwaukee, WI 53224 COLLABORATIVE METALWORKS http://www.wagnercompanies.com/		

2



1