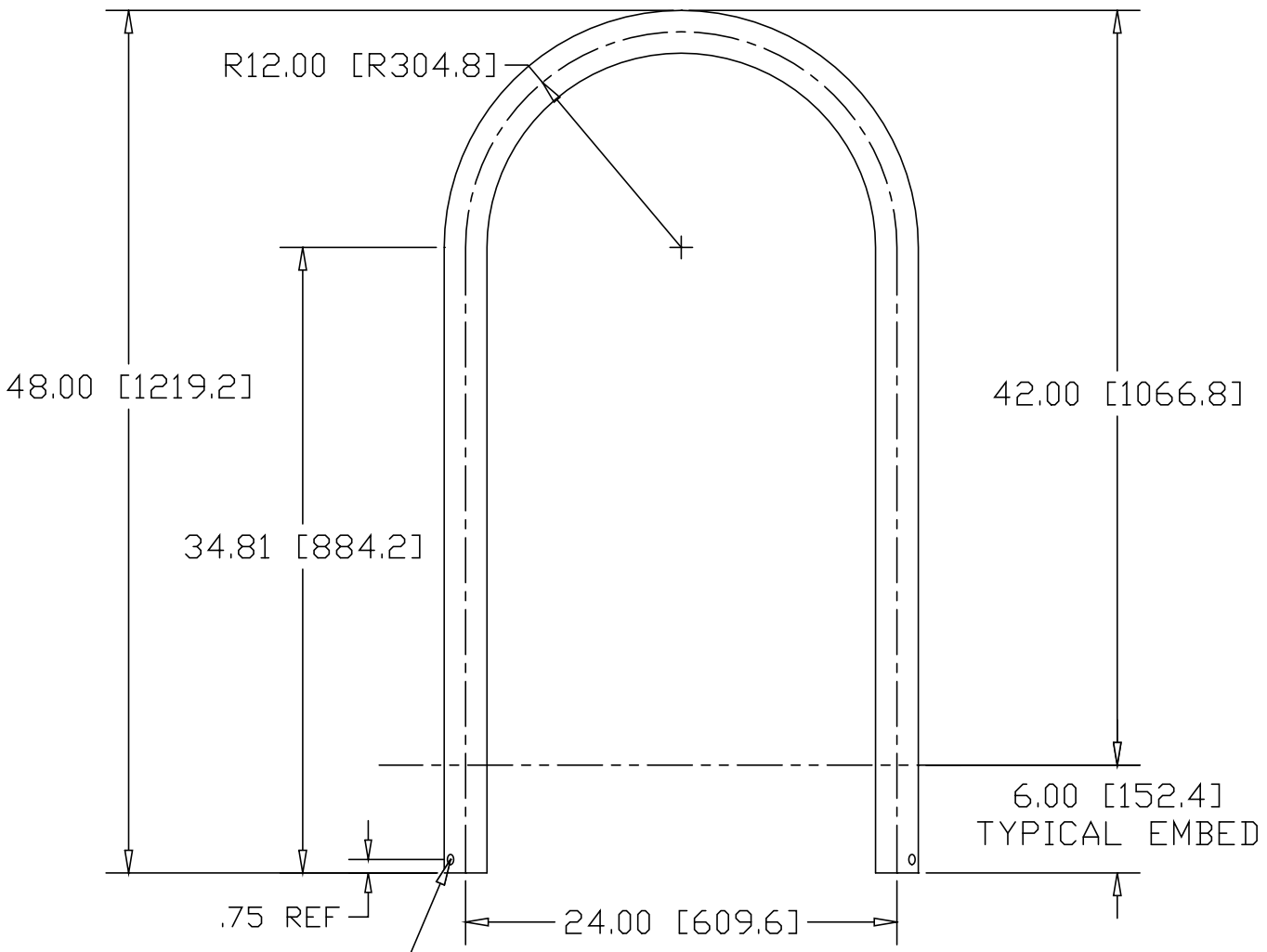


REV B  
SH  
SR1LW-BLK  
DWG NO


REVISIONS			
REV	DESCRIPTION	DATE	APPROVED
A	HT WAS 36.00, EMBED WAS 10.00	12/18/06	RJF
B	ADDED BSR1LW	6/25/09	PWH



DRILL  $\phi$ .56 HOLE  
.75 IN FROM END  
BOTH LEGS TYPICAL

DL = 107.32"

INCHES [MILLIMETERS]

PART NAME		PRE-GALVANIZED BIKE RACK KIT, SINGLE LOOP	
MATERIAL		BSR1LW (2.375" OD X .120W GALVANIZED STEEL TUBE)	
DATE	05/16/06	 <b>THE WAGNER COMPANIES</b> R & B WAGNER, INC. AND J. G. BRAUN CO.	PART NUMBER SR1LW-BLK
DRAWN BY	RJF		
FINISH	POWDER COAT BLACK		
SIZE	A	WEIGHT	25.83 LBS
		REV	B