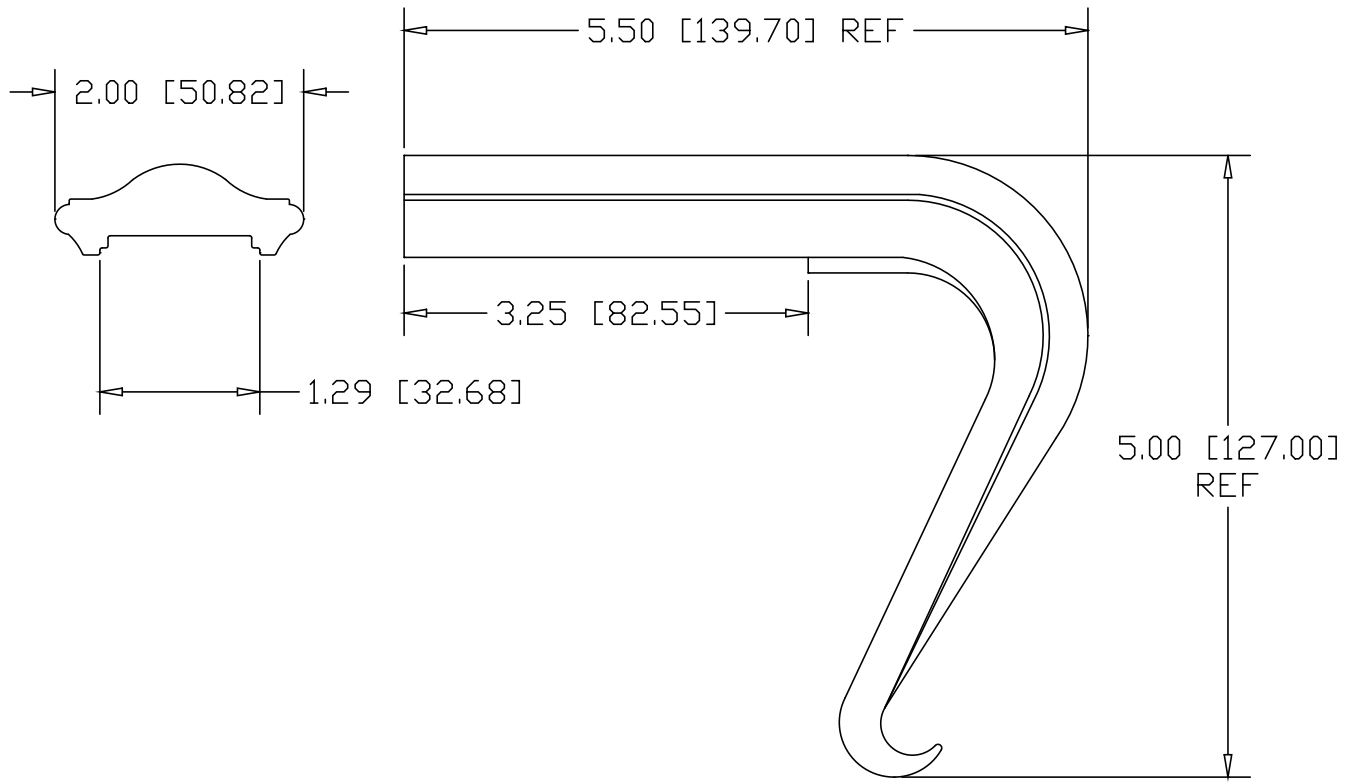



DWG NO H1244P
SH
REV 1

REVISIONS			
REV	DESCRIPTION	DATE	APPROVED



INCHES [MILLIMETERS]

PART NAME LAMB'S TONGUE STRAIGHT TERMINAL END FOR H1252							
MATERIAL MALLEABLE IRON ASTM A47							
DATE	04/27/09	 THE WAGNER COMPANIES R & B WAGNER, INC. AND J. G. BRAUN CO.					
DRAWN BY	PWH						
FINISH	SHOT BLASTED						
SIZE	A	WEIGHT	2.68 LBS	PART NUMBER	H1252P	REV	1