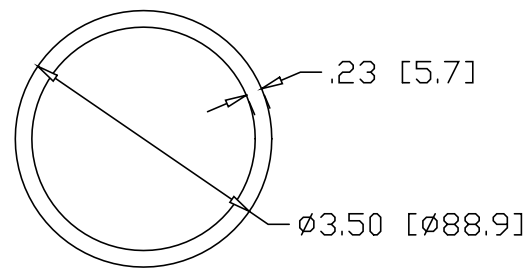
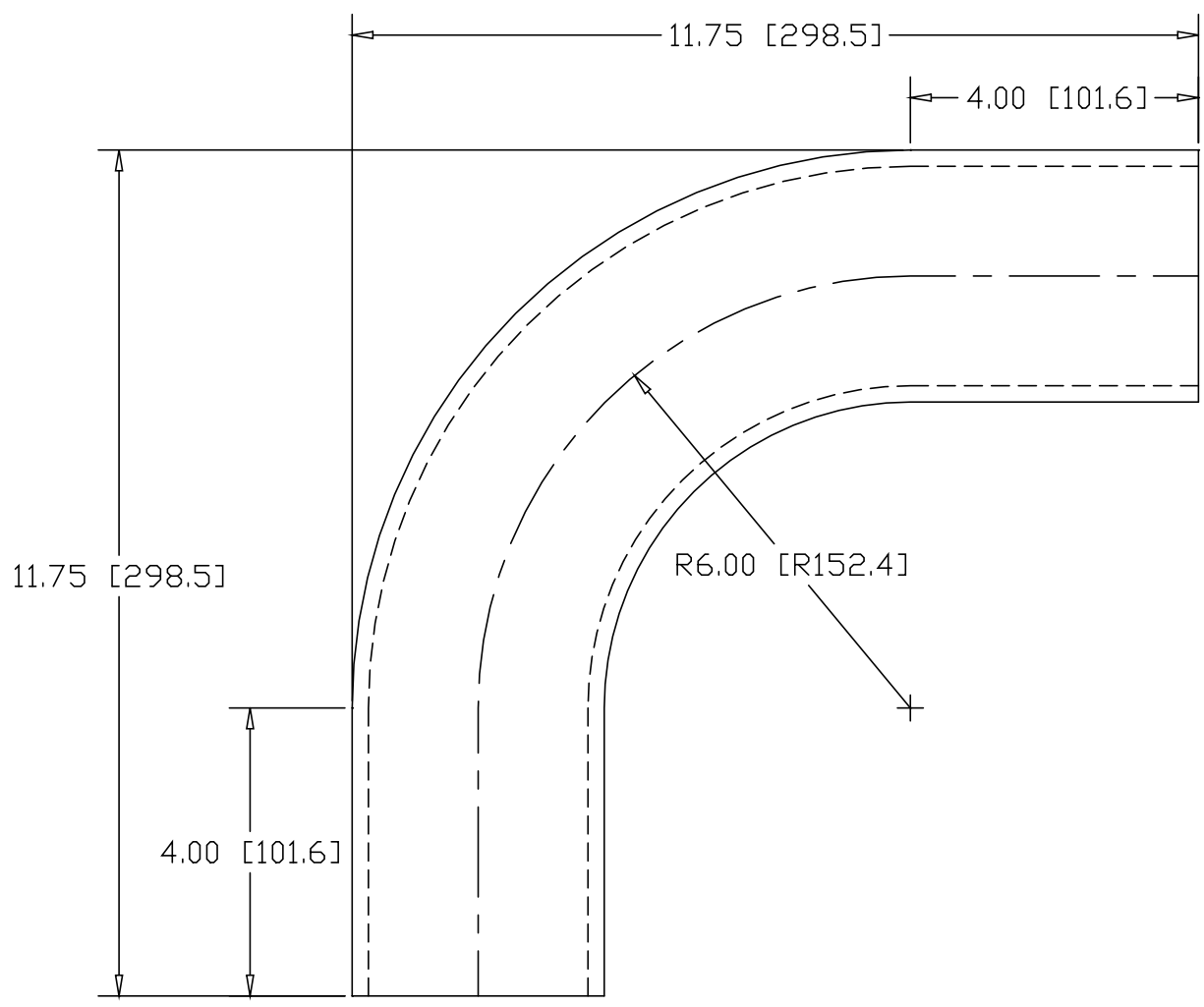



REV  
SH  
9631  
DWG NO

REVISIONS			
REV	DESCRIPTION	DATE	APPROVED



INCHES MILLIMETERS

ALTERNATE MATERIAL	PART NUMBER
3" SCH 40 6063 ALUMINUM PIPE	9634
3" SCH 40 (304) STAINLESS STEEL PIPE	9636
3" SCH 40 (230) RED BRASS PIPE	9638

PART NAME 3" SCH 40 (3.50" OD) 6" CLR 90° BEND W/(2) 4" TANGENTS			
MATERIAL 3" SCH 40 STEEL PIPE A53			
DATE 5/5/00		<b>THE WAGNER COMPANIES</b> R & B WAGNER, INC. AND J. G. BRAUN CO.	
DRAWN BY RJF			
FINISH MILL			
SIZE A	WEIGHT 13.23 LBS	PART NUMBER 9631	REV