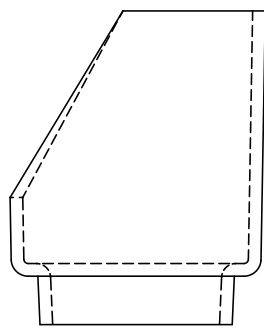
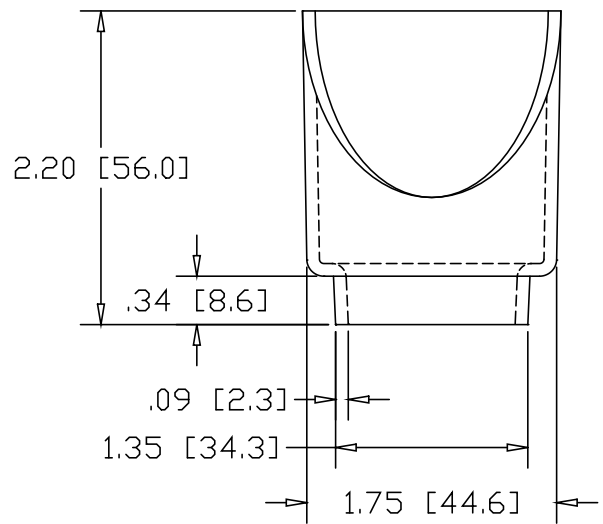
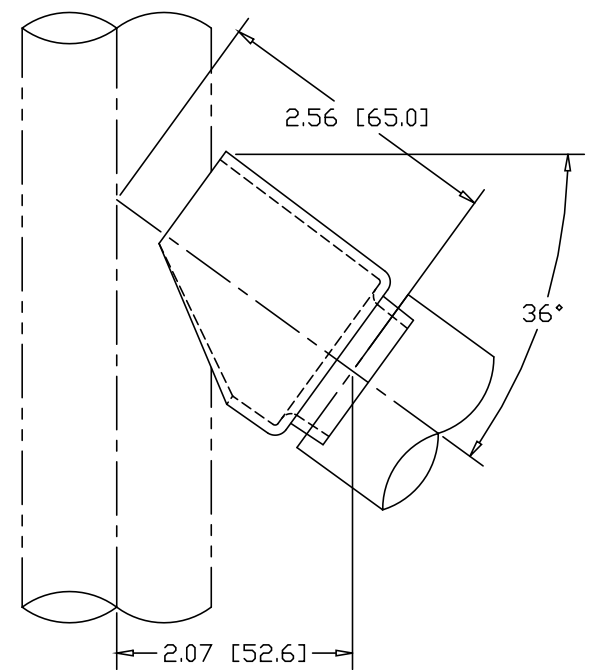
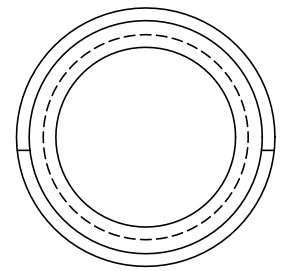
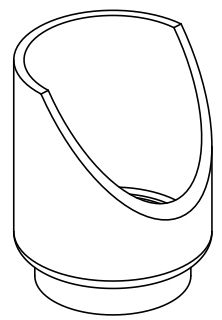



REVISIONS			
REV	DESCRIPTION	DATE	APPROVED



INCHES [MILLIMETERS]

ALTERNATE MATERIAL	PART NO.
.09 (3003) ALUM. ASTM B209	1871

PART NAME				1-1/4" SCH 40 PIPE 36° TYPE "D" COPED WELDING CONNECTOR			
MATERIAL				13 GA. (.089) HRP&D STEEL ASTM A569			
DATE	8/13/96	 THE WAGNER COMPANIES R & B WAGNER, INC. AND J. G. BRAUN CO.		PART NUMBER		1870	
DRAWN BY	RJF			SIZE	WEIGHT	REV	
FINISH	MILL	A	.22 LBS				