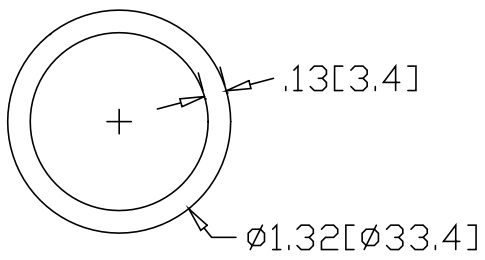
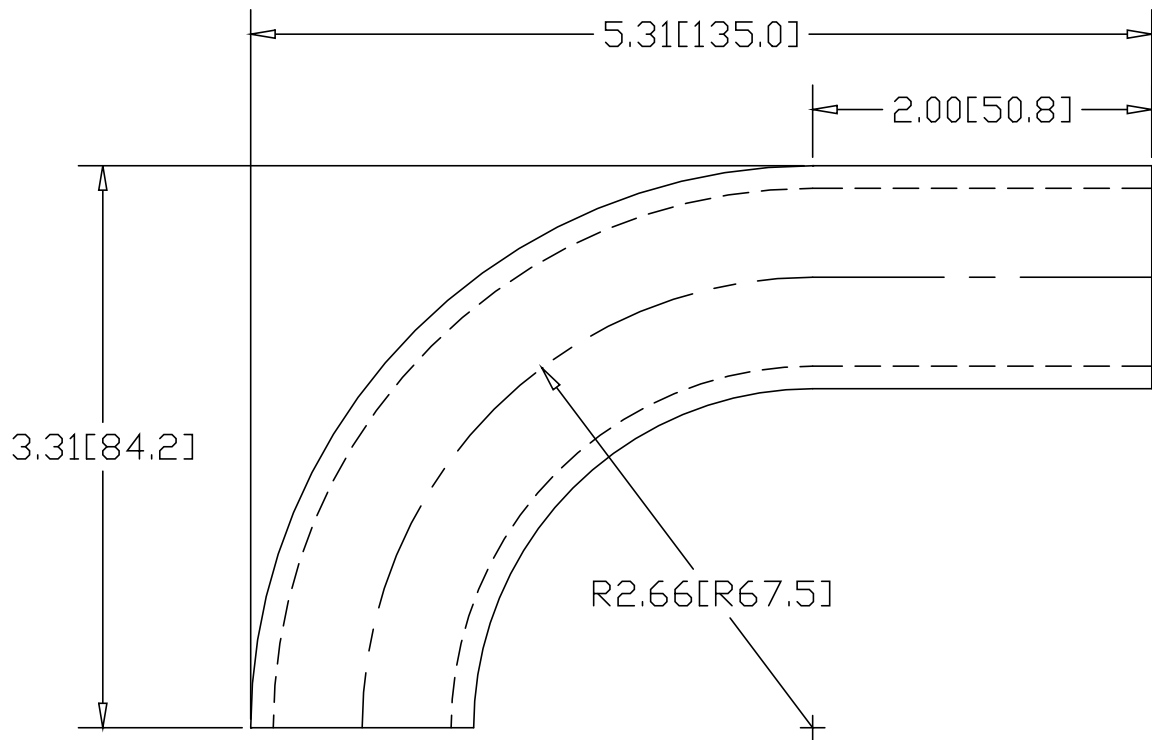



REV
SH
214-1
DWG NO

REVISIONS			
REV	DESCRIPTION	DATE	APPROVED



INCHES [MILLIMETERS]

ALTERNATE MATERIAL	PART NUMBER
1" SCH 40 (6063) ALUMINUM PIPE	228-1

PART NAME		1" PIPE SIZE 90° ELL X 2" I.R. W/(1) 2" TANGENT					
MATERIAL		1-1/4" SCH 40 STEEL PIPE A53					
DATE	8/24/95	 R & B WAGNER, INC.					
DRAWN BY	RJF						
FINISH	MILL						
SIZE	A	WEIGHT	.84 LBS	PART NUMBER	214-1	REV	