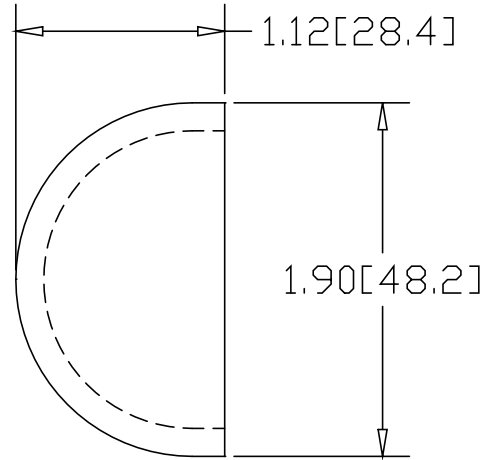
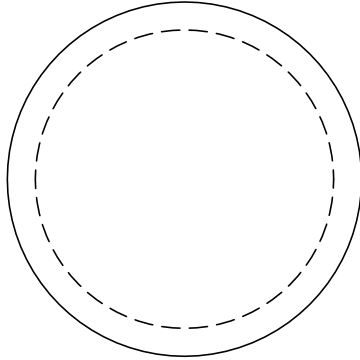
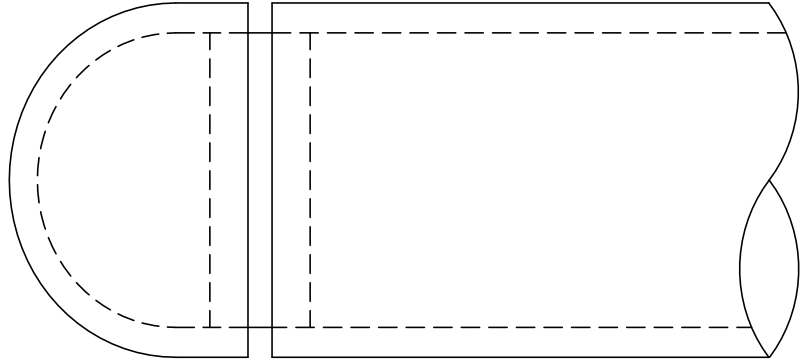
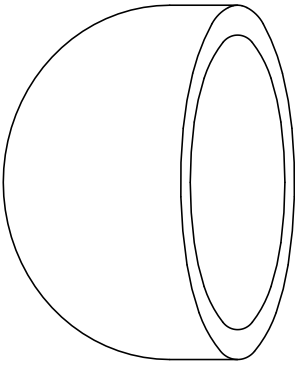



REV
SH
DWG NO 3220

REVISIONS			
REV	DESCRIPTION	DATE	APPROVED



INCHES [MILLIMETERS]

ALTERNATE MATERIAL	PART NUMBER
.125 (3003) ALUMINUM ASTM B209	3240
11 GA 304 STAINLESS STEEL ASTM A240	3260
.125 (280) MUNTZ	BZ3220

PART NAME 1-1/2" PIPE SIZE TYPE-C FLUSH WELD-ON END CAP			
MATERIAL 10 GA. HRP&D STEEL ASTM A569			
DATE	10/11/96	 THE WAGNER COMPANIES R & B WAGNER, INC. AND J. G. BRAUN CO.	
DRAWN BY	RJF		
FINISH	MILL		
SIZE	A	WEIGHT	.22 LBS
		PART NUMBER	3220
			REV