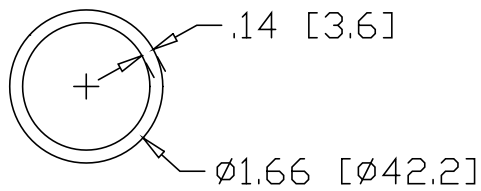
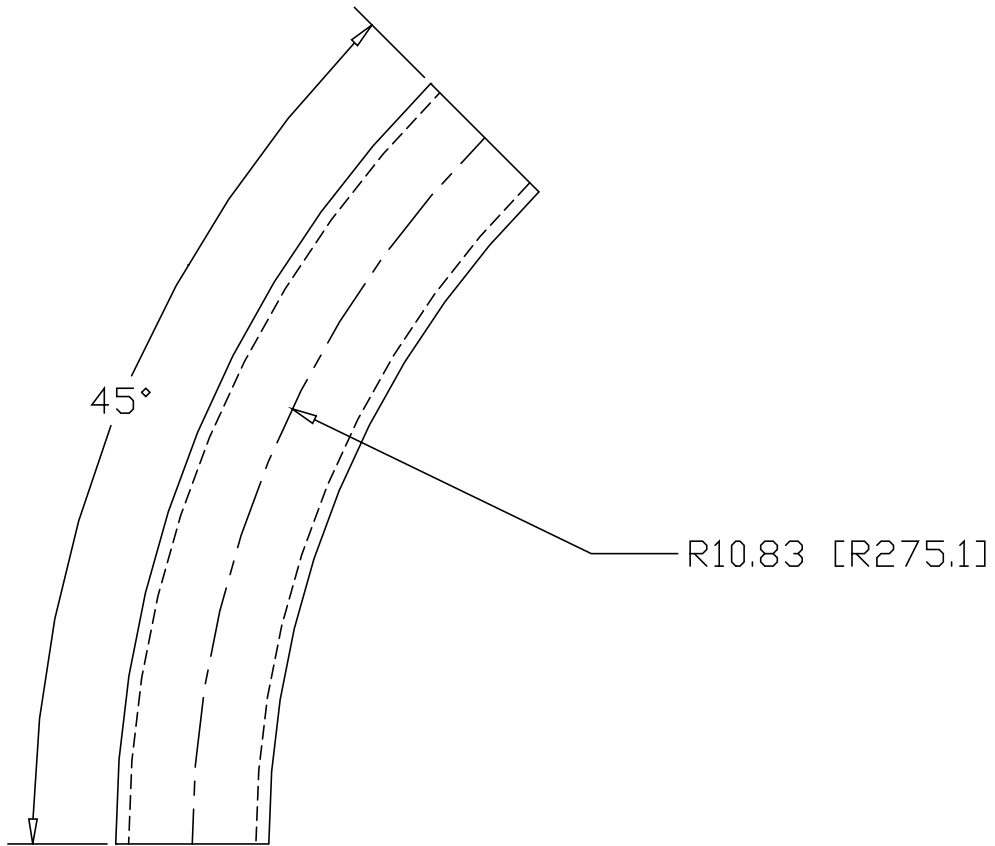



REV
SH
8252
DWG NO

REVISIONS			
REV	DESCRIPTION	DATE	APPROVED



INCHES [MILLIMETERS]

ALTERNATE MATERIAL	PART NUMBER
1-1/4" SCH 40 (6063) ALUMINUM PIPE	8266
1-1/4" SCH 40 (304) STAINLESS STEEL PIPE	8280

PART NAME		1-1/4" PIPE SIZE 45° ELL X 10" I.R.		
MATERIAL		1-1/4" SCH 40 A53 STEEL PIPE		
DATE	8/7/01	 R & B WAGNER, INC.		
DRAWN BY	JAH			
FINISH	MILL			
SIZE	WEIGHT	PART NUMBER	REV	
A	1.62 LBS	8252		