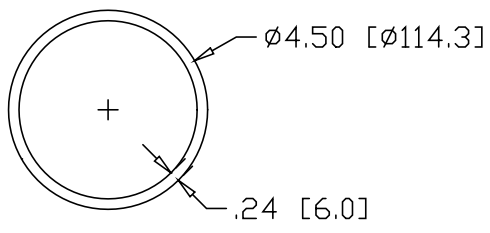
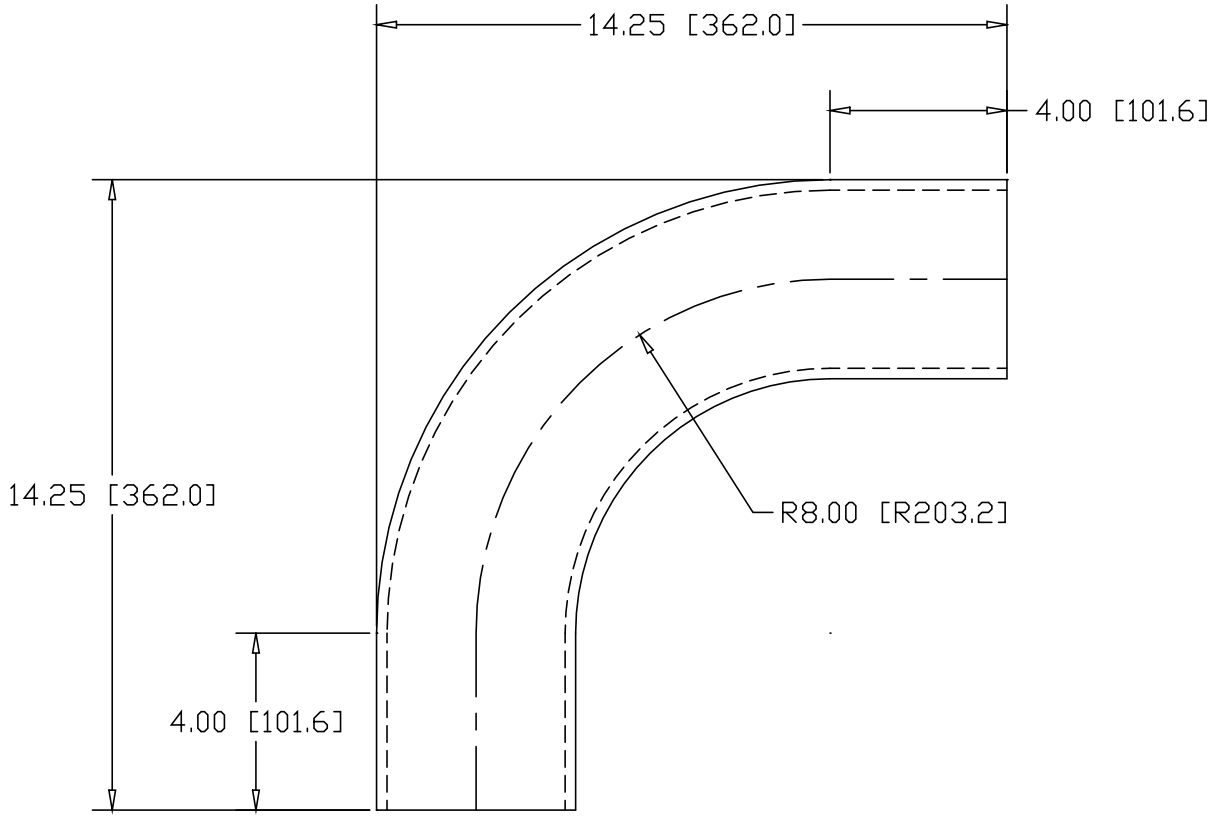



REV
SH
9641
DWG NO

REVISIONS			
REV	DESCRIPTION	DATE	APPROVED



INCHES MILLIMETERS

ALTERNATE MATERIAL	PART NUMBER
4" SCH 40 6063 ALUMINUM PIPE	9644
4" SCH 40 (304) STAINLESS STEEL PIPE	9646
4" SCH 40 (230) RED BRASS PIPE	9648

PART NAME				4" SCH 40 8" CLR 90° BEND W/(2) 4" TANGENTS	
MATERIAL				4" SCH 40 STEEL PIPE A53	
DATE	9-03-03	 THE WAGNER COMPANIES R & B WAGNER, INC. AND J. G. BRAUN CO.			
DRAWN BY	RJF				
FINISH	MILL				
SIZE	A	WEIGHT	18.50 LBS	PART NUMBER	9641
				REV	