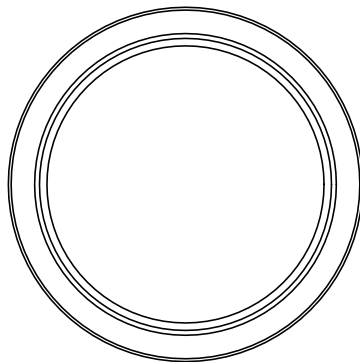
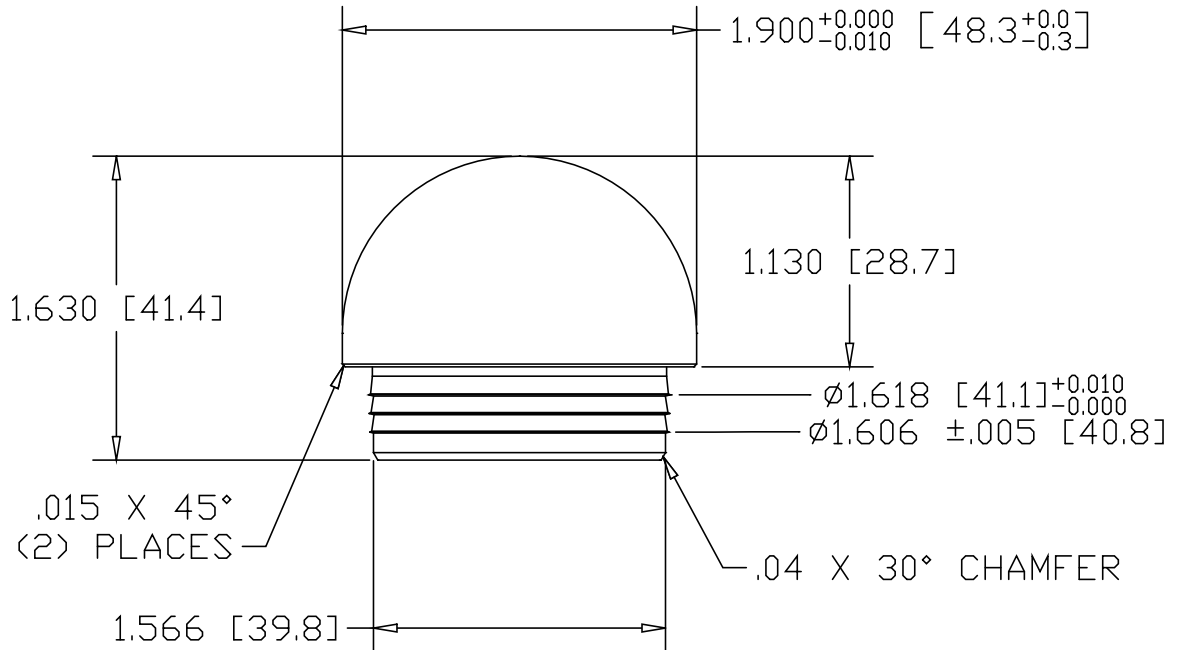



REV
SH
3232AM
DWG NO

REVISIONS			
REV	DESCRIPTION	DATE	APPROVED



INCHES [MILLIMETERS]

PART NAME		1-1/2" PIPE SIZE TYPE-A MACHINED DRIVE-ON CAP					
MATERIAL		6063-T52 ALUMINUM					
DATE	04/20/05	 THE WAGNER COMPANIES R & B WAGNER, INC. AND J. G. BRAUN CO.					
DRAWN BY	RJF						
FINISH	MILL						
SIZE	A	WEIGHT	.17 LBS	PART NUMBER	3232AM	REV	