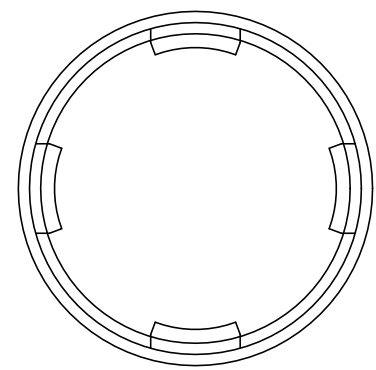
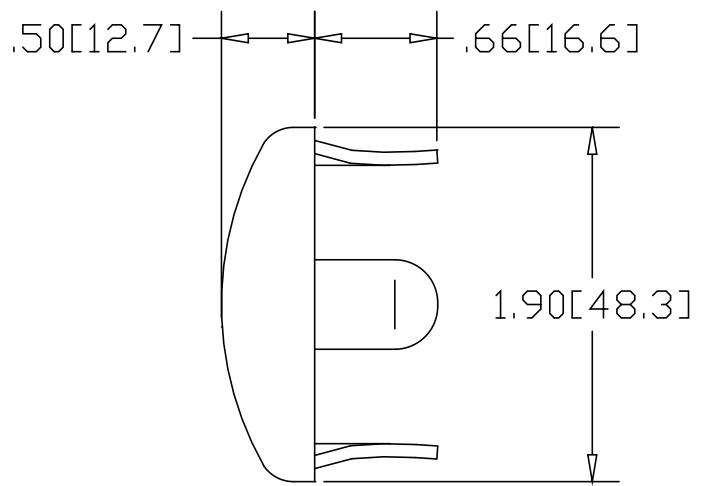
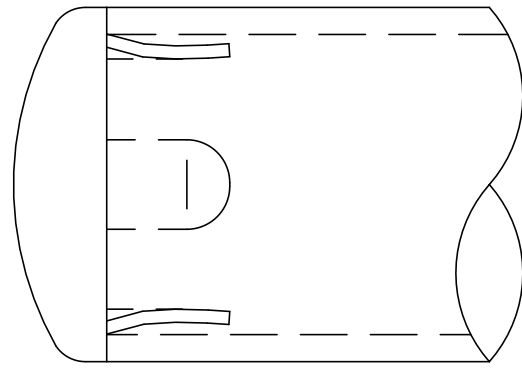
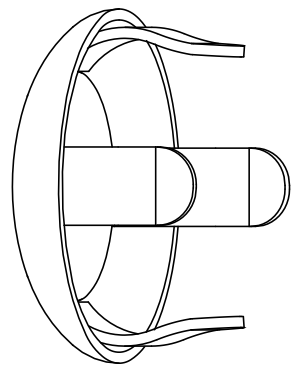



REV  
SH  
DWG NO 3212-LH

REVISIONS			
REV	DESCRIPTION	DATE	APPROVED



INCHES [MILLIMETERS]

ALTERNATE MATERIAL	PART NUMBER

PART NAME 1-1/2" SCH 10 PIPE TYPE "H" DRIVE-ON END CAP				
MATERIAL 16 GA. HRP&D STEEL ASTM A-569				
DATE 3/28/95		<b>THE WAGNER COMPANIES</b> R & B WAGNER, INC. AND J. G. BRAUN CO.		
DRAWN BY RJF				
FINISH MILL	SIZE A	WEIGHT .13 LBS	PART NUMBER 3212-LH	REV