

2

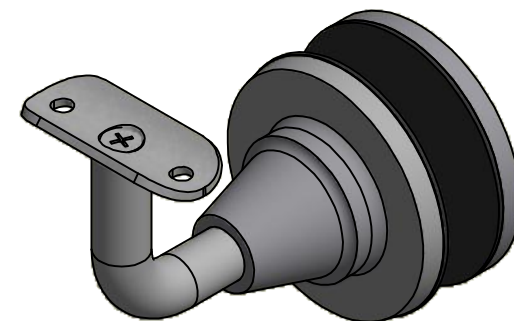
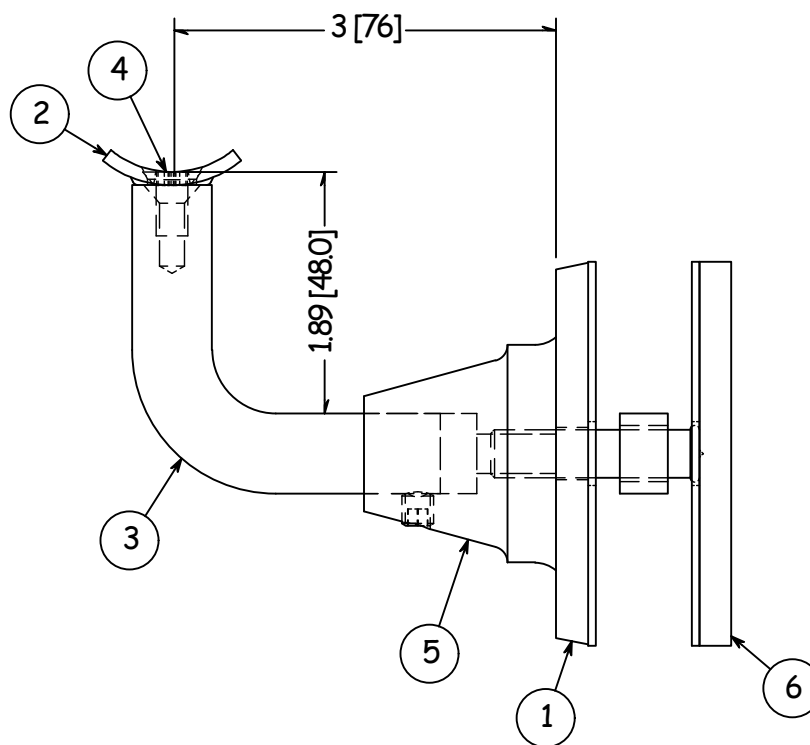
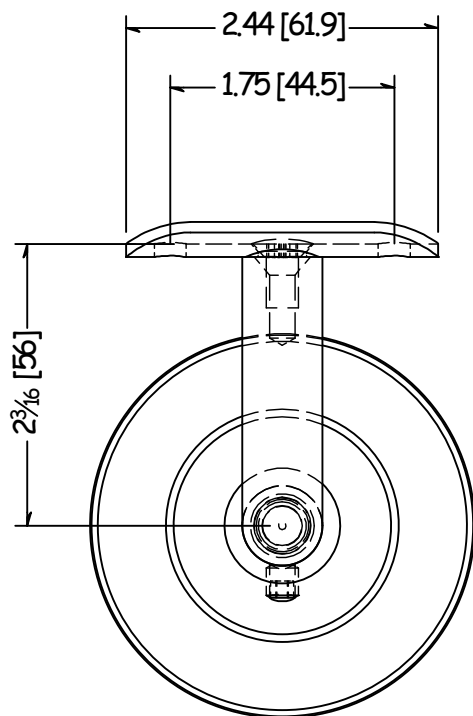


1

## PARTS LIST

ITEM	QTY	PART NUMBER	DESCRIPTION
1	1	DS901	3" Round Backing Disk for Wall Mount
2	1	GB4382B	SADDLE SS C'SUNK MILL
3	1	GB4382C	BAR BEND FOR GLASS MOUNT BRACKET .625 DIA 304 SS
4	1	FPH3N2520-0050	SCREW SS 1/4-20 X .50 FLAT PHILLIPS HEAD
5	1	GB4382H	Base Hub, Stainless Steel, Cast, #4 Satin Finish, Type 316
6	1	GB4383K.75	GLASS MOUNT ADAPTER KIT SS #4 FOR 3/4" GLASS


B



B

A

A

<b>TOLERANCE</b>	MATERIAL:	DESCRIPTION: HANDRAIL BRACKET, SS, ADJ 3-3.25" FROM GLASS, FOR 1/2" GLASS		
		304 Stainless		
	UNLESS OTHERWISE NOTED, TOLERANCES TO CONFORM TO ES.03.011	FINISH:	DATE: 2/12/2021	REV: 2
		#4	DRAWN BY: K.Turdo	
	WEIGHT:	N/A	ITEM NUMBER: GB4383.75	
				 10600 W Brown Deer Rd Milwaukee, WI 53224 COLLABORATIVE METALWORKS <a href="http://www.wagnercompanies.com/">http://www.wagnercompanies.com/</a>

2



1