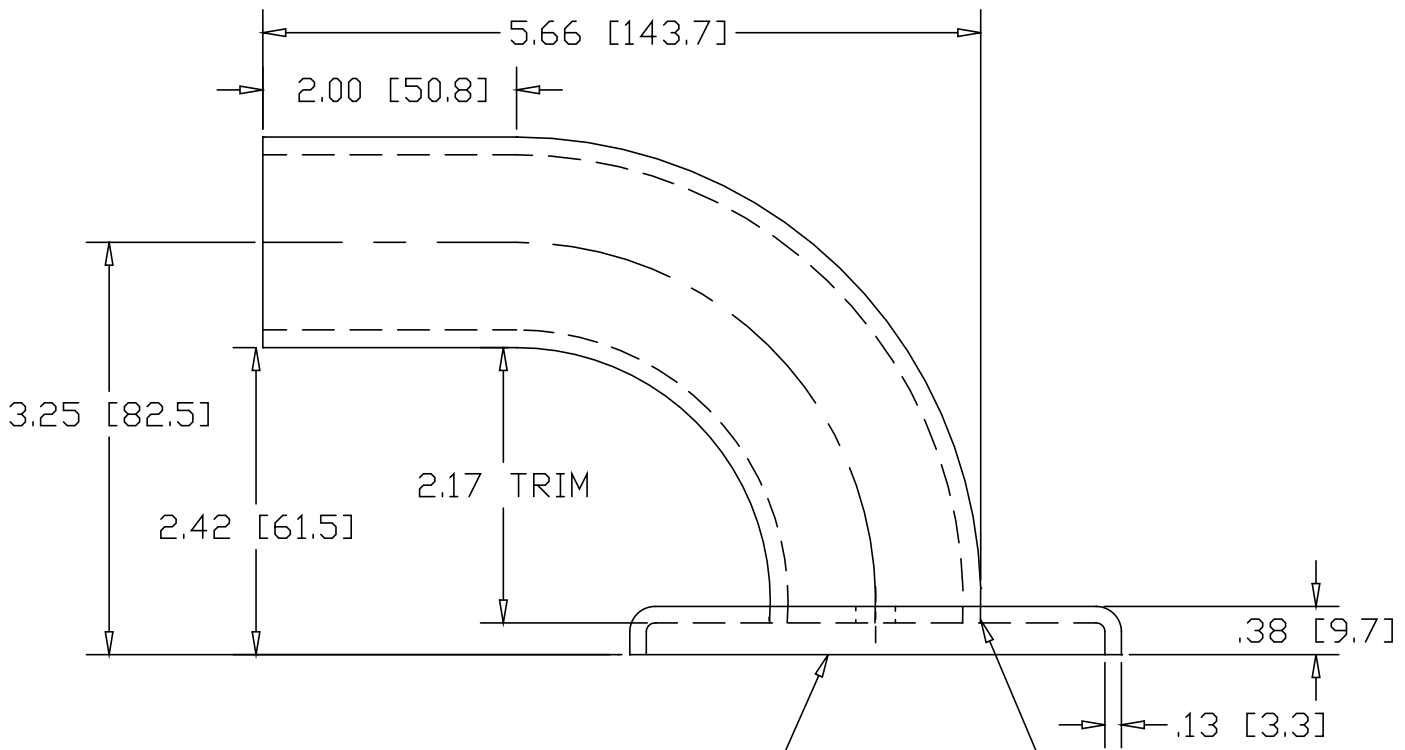
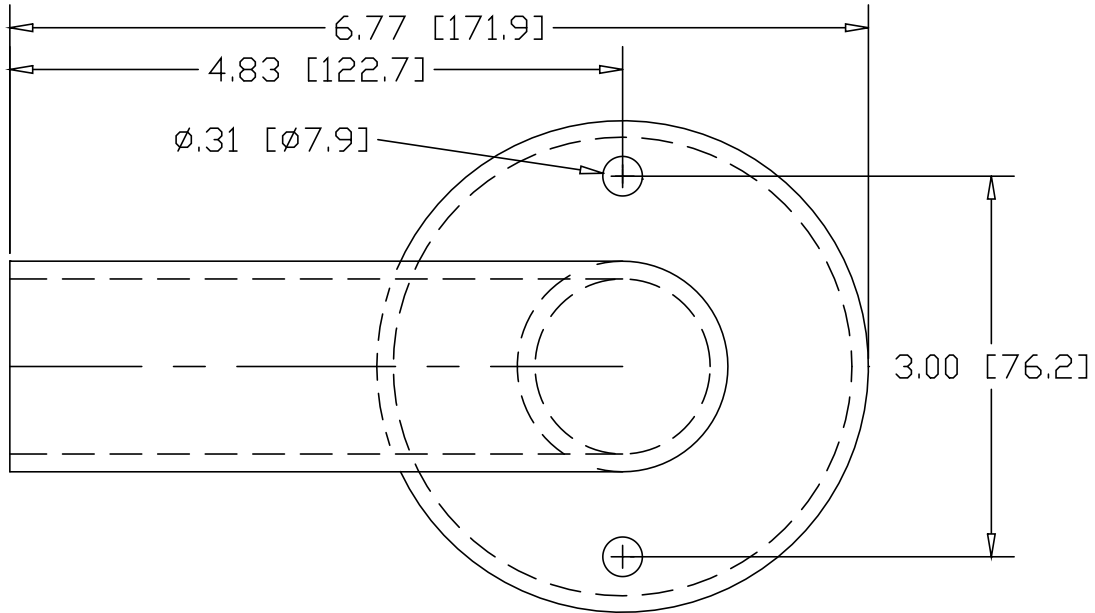



REV
SH
1161-2
DWG NO

REVISIONS			
REV	DESCRIPTION	DATE	APPROVED



HEAVY FLUSH BASE
PIPE FLANGE #2567

INCHES [MILLIMETERS]

PART NAME 1-1/4" PIPE SIZE X 3.25"CL WALL RETURN W/2 HOLES			
MATERIAL 6063 ALUMINUM			
DATE 1/10/07		THE WAGNER COMPANIES R & B WAGNER, INC. AND J. G. BRAUN CO.	
DRAWN BY RDC			
FINISH MILL	SIZE A	WEIGHT	PART NUMBER 1161-2
			REV