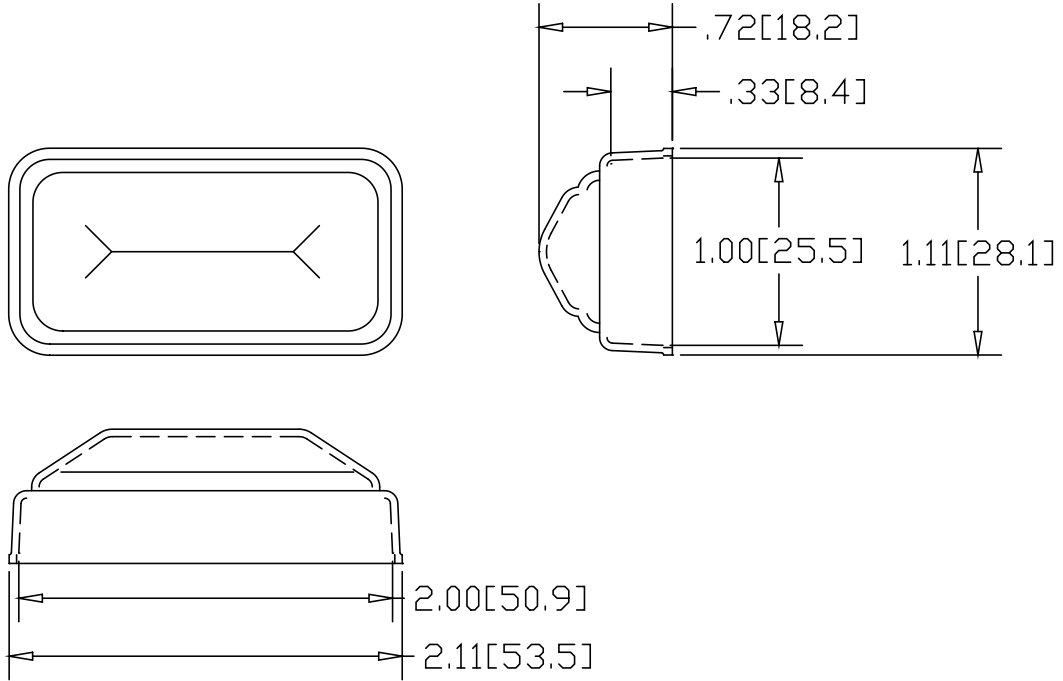



REV  
SH  
DWG NO 5165

REVISIONS			
REV	DESCRIPTION	DATE	APPROVED



INCHES [MILLIMETERS]

ALTERNATE MATERIAL	PART NUMBER
.050 (3003) ALUMINUM ASTM B209	5166
18 GA. 304 STAINLESS STEEL	5167

PART NAME		2.00" x 1.00" RECTANGULAR TUBE END CAP					
MATERIAL		18 GA. CR STEEL ASTM A366					
DATE	1/25/99	 <b>THE WAGNER COMPANIES</b> R & B WAGNER, INC. AND J. G. BRAUN CO.					
DRAWN BY	RJF						
FINISH	MILL						
SIZE	A	WEIGHT	.06 lbs	PART NUMBER	5165	REV	