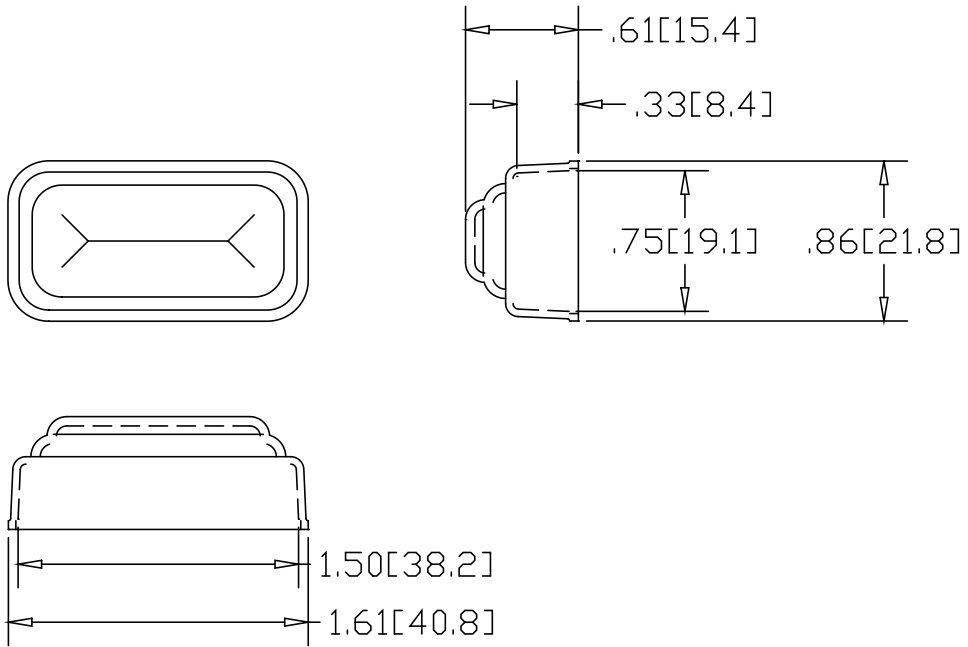



REV  
SH  
5170  
DWG NO

REVISIONS			
REV	DESCRIPTION	DATE	APPROVED



INCHES [MILLIMETERS]

ALTERNATE MATERIAL	PART NUMBER
.050 (3003) ALUMINUM ASTM B209	5171
18 GA. 304 STAINLESS STEEL	5172

PART NAME				1.50" x .75" RECTANGULAR TUBE END CAP			
MATERIAL				18 GA. CR STEEL ASTM A366			
DATE		1/25/99		 <b>THE WAGNER COMPANIES</b> R & B WAGNER, INC. AND J. G. BRAUN CO.			
DRAWN BY		RJF					
FINISH		MILL					
SIZE	WEIGHT	PART NUMBER	REV				
A	.04 lbs	5170					