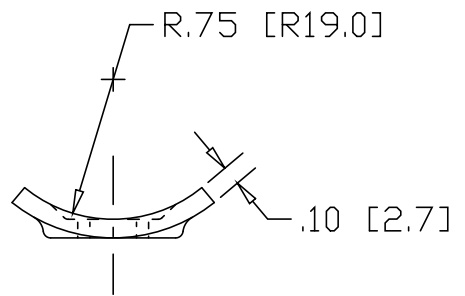
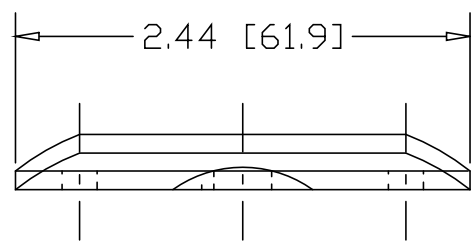
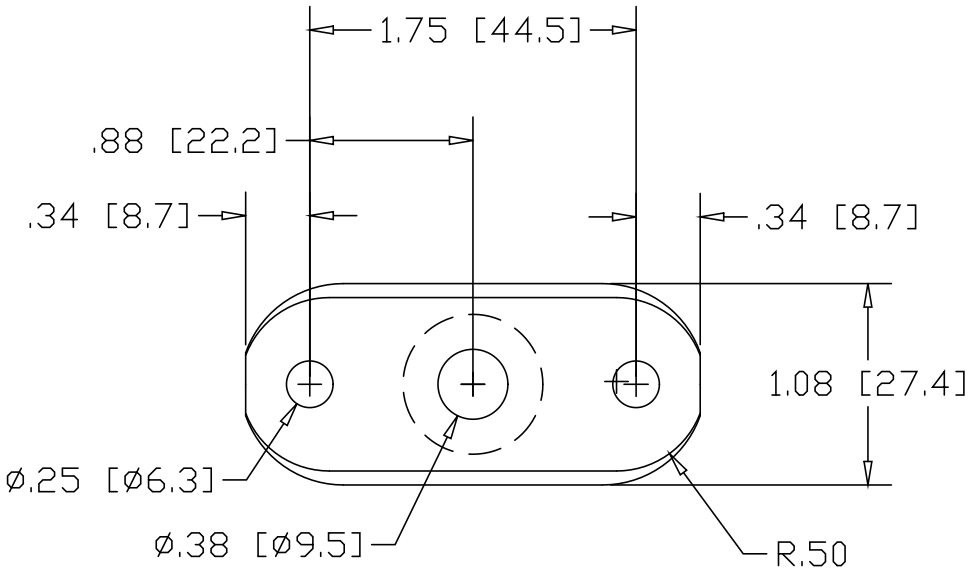


REV B
SH
S101
DWG NO

REVISIONS			
REV	DESCRIPTION	DATE	APPROVED
A	Ø.38 WAS Ø.44 CENTER HOLE	07/25/05	RJF
B	RADIUS ADDED BOTH ENDS	02/15/06	RJF



ALTERNATE MATERIAL	PART NUMBER
12 GA. 304 STAINLESS STEEL SHEET	S103
.125 (3003) ALUMINUM SHEET	S102
.125 (260) BRASS SHEET	S104
.125 (280) MUNTZ METAL	S105

PART NAME		HANDRAIL BRACKET SADDLE					
MATERIAL		12 GA. HRP&D STEEL SHEET					
DATE	1/20/06		THE WAGNER COMPANIES R & B WAGNER, INC. AND J. G. BRAUN CO.				
DRAWN BY	RDC						
FINISH	MILL						
SIZE	A	WEIGHT	.07 LBS	PART NUMBER	S101	REV	B