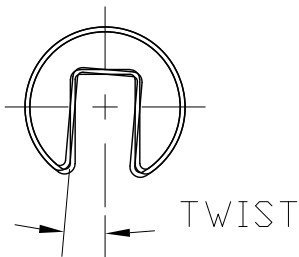
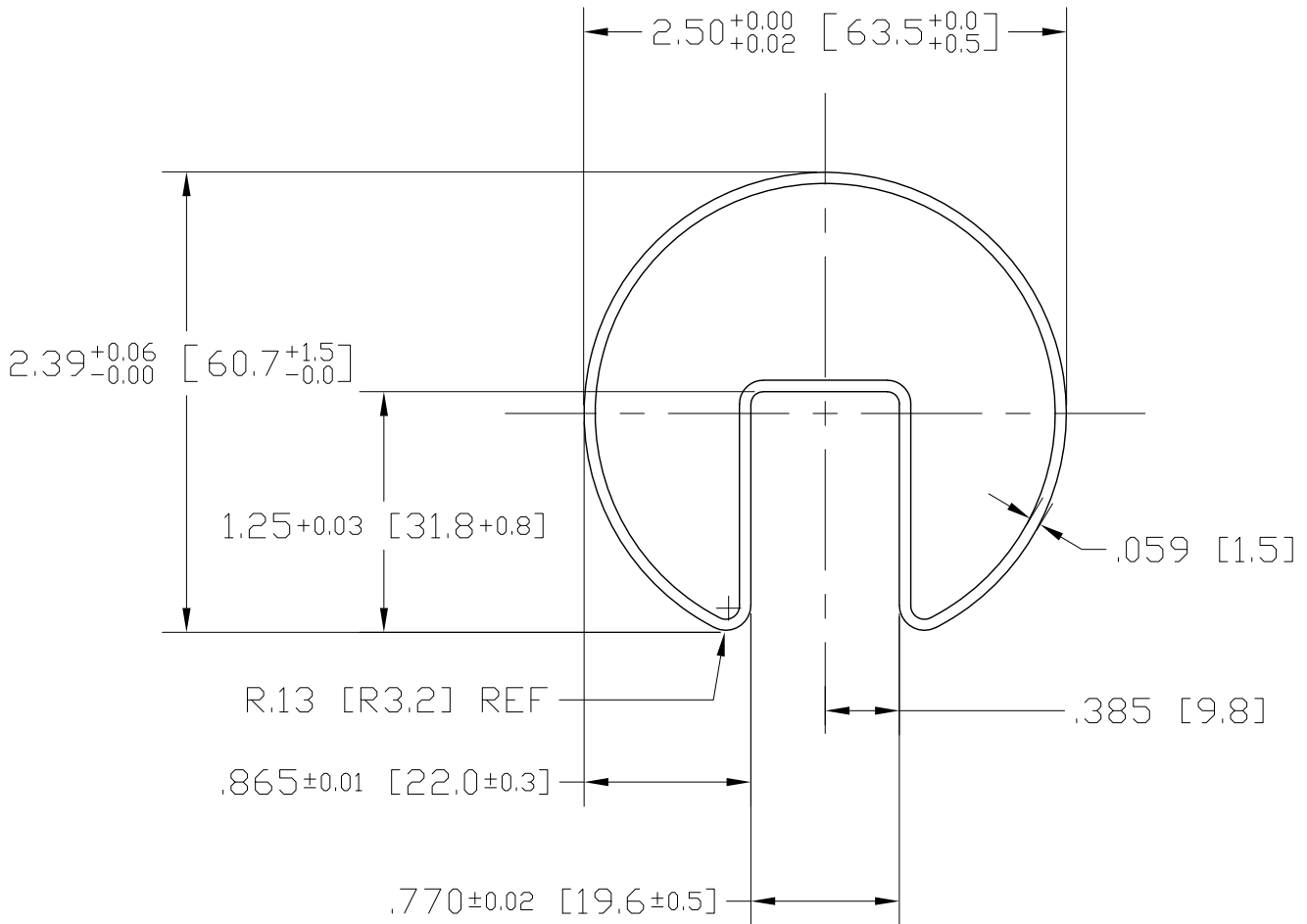



REV A
SH
DWG NO GR3250.4

| REVISIONS | | | |
|-----------|----------------------------------|----------|----------|
| REV | DESCRIPTION | DATE | APPROVED |
| A | REVISED DIMENSIONS AND TOLERANCE | 04/01/08 | RJF |



NOTE: MAXIMUM ALLOWABLE TWIST
0.5° PER FOOT WITH MAXIMUM 5.0° PER LENGTH

INCHES [MILLIMETERS]

| | | | |
|--|---|--------|----------------------|
| PART NAME 2.50" OD X .059W STAINLESS STEEL CAPRAIL | | | |
| MATERIAL 304 STAINLESS STEEL | | | |
| DATE 11/05/03 |  THE WAGNER COMPANIES R & B WAGNER, INC. AND J. G. BRAUN CO. | | |
| DRAWN BY RJF | | | |
| FINISH #4 SATIN CIRCUMFERENTIAL | SIZE A | WEIGHT | PART NUMBER GR3250.4 |
| | | | REV A |